

Service
Service
Service



Service Manual

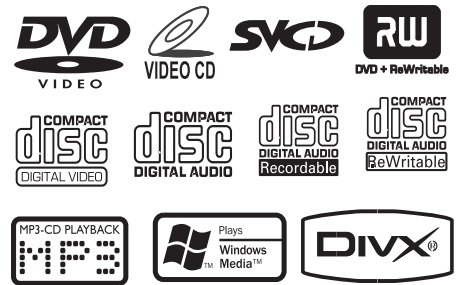


TABLE OF CONTENTS

Handling chip components 1-1
 Leadfree and safety information 1-2

Technical specification 2-1
 Service tools 2-1
 Service measurement setup 2-2

Connections and controls 3-1...3-3

Software version check and upgrading 4-1

Block diagram 5-1

Wiring diagram 6-1

VFD Board
 circuit diagram 7-1
 layout diagram 7-2

Tuner Board
 circuit diagram 8-1
 layout diagram 8-2

AMP Board
 circuit diagram 9-1...9-2
 layout diagram 9-3

CPU Board
 circuit diagram 10-1
 layout diagram 10-2...10-3

Exploded view diagram 11-1

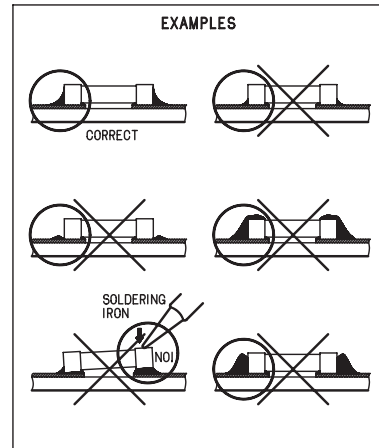
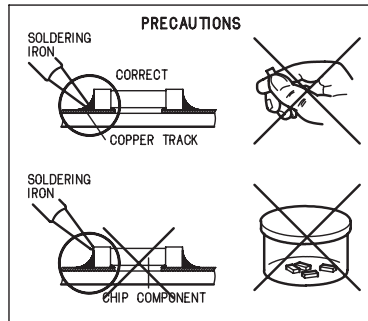
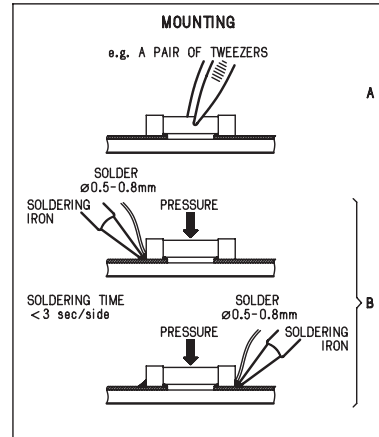
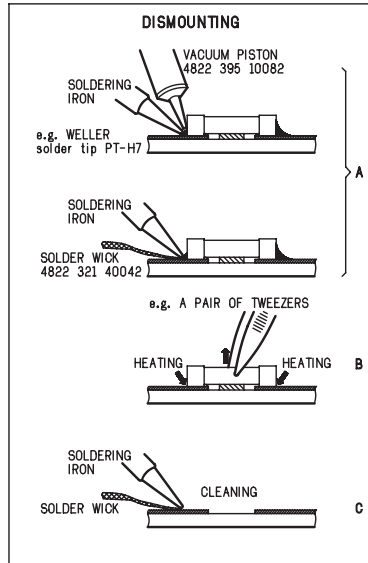
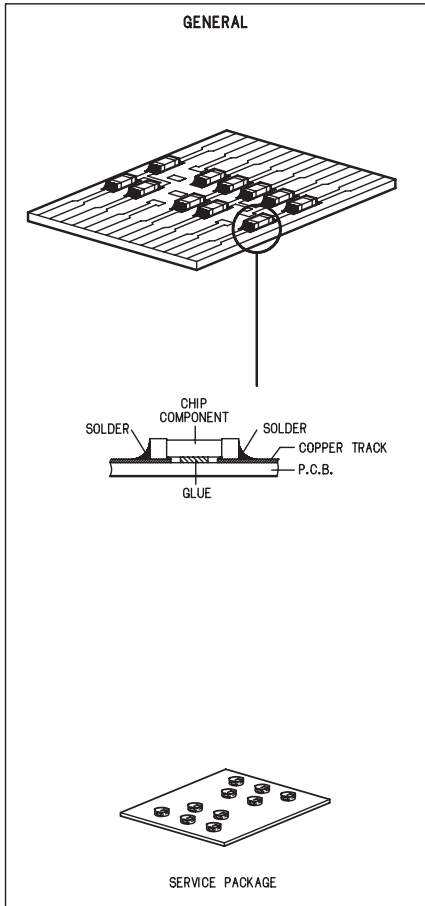
Service partslist 12-1

Commercial partslist

© Copyright 2007 Philips Consumer Electronics B.V. Eindhoven, The Netherlands
 All rights reserved. No part of this publication may be reproduced, stored in a retrieval system or transmitted, in any form or by any means, electronic, mechanical, photocopying, or otherwise without the prior permission of Philips.



HANDLING CHIP COMPONENTS



(GB) WARNING

All ICs and many other semiconductors are susceptible to electrostatic discharges (ESD). Careless handling during repair can reduce life drastically. When repairing, make sure that you are connected with the same potential as the mass of the set via a wristband with resistance. Keep components and tools at this potential.



(NL) WAARSCHUWING

Alle IC's en vele andere halfgeleiders zijn gevoelig voor electrostatische ontladingen (ESD). Onzorgvuldig behandelen tijdens reparatie kan de levensduur drastisch doen verminderen. Zorg ervoor dat u tijdens reparatie via een polsband met weerstand verbonden bent met hetzelfde potentiaal als de massa van het apparaat. Houd componenten en hulpmiddelen ook op ditzelfde potentiaal.

(F) ATTENTION

Tous les IC et beaucoup d'autres semi-conducteurs sont sensibles aux décharges statiques (ESD). Leur longévité pourrait être considérablement écourtée par le fait qu'aucune précaution n'est prise à leur manipulation. Lors de réparations, s'assurer de bien être relié au même potentiel que la masse de l'appareil et enfiler le bracelet seré d'une résistance de sécurité. Veiller à ce que les composants ainsi que les outils que l'on utilise soient également à ce potentiel.

(D) WARNUNG

Alle ICs und viele andere Halbleiter sind empfindlich gegenüber elektrostatischen Entladungen (ESD). Unvorsichtige Behandlung im Reparaturfall kann die Lebensdauer drastisch reduzieren. Sorgen Sie dafür, daß Sie im Reparaturfall über ein Pulsarmband mit Widerstand mit dem Massepotential des Gerätes verbunden sind. Halten Sie Bauteile und Hilfsmittel ebenfalls auf diesem Potential.

(I) AVVERTIMENTO

Tutti IC e parecchi semi-conduttori sono sensibili alle scariche statiche (ESD). La loro longevità potrebbe essere fortemente ridotta in caso di non osservazione della più grande cautela alla loro manipolazione. Durante le riparazioni occorre quindi essere collegato allo stesso potenziale che quello della massa dell'apparecchio tramite un braccialetto a resistenza. Assicurarsi che i componenti e anche gli utensili con quali si lavora siano anche a questo potenziale.

(GB)

Safety regulations require that the set be restored to its original condition and that parts which are identical with those specified be used. Safety components are marked by the symbol

(F)

Les normes de sécurité exigent que l'appareil soit remis à l'état d'origine et que soient utilisées les pièces de rechange identiques à celles spécifiées. Les composants de sécurité sont marqués

SAFETY



(D)

Bei jeder Reparatur sind die geltenden Sicherheitsvorschriften zu beachten. Der Originalzustand des Gerätes darf nicht verändert werden. Für Reparaturen sind Originalersatzteile zu verwenden. Sicherheitsbauteile sind durch das Symbol

(NL)

Veiligheidsbepalingen vereisen, dat het apparaat in zijn oorspronkelijke toestand wordt teruggebracht en dat onderdelen, identiek aan de gespecificeerde, worden toegepast. De Veiligheidsonderdelen zijn aangeduid met het symbool

(I)

Le norme di sicurezza estigono che l'apparecchio venga rimesso nelle condizioni originali e che siano utilizzati i pezzi di ricambio identici a quelli specificati. Componenti di sicurezza sono marcati con



(GB) DANGER: Invisible laser radiation when open. AVOID DIRECT EXPOSURE TO BEAM.

(S) Varning! Osynlig laserstråling när apparaten är öppnad och spårren är urkopplad. Betrakta ej strålen.

(DK) Advarsel! Usynlig laserstråling ved åbning når sikkerhedsafbrydere er ude af funktion. Undgå udsættelse for stråling.

(FIN) Varoitus! Avatussa laitteessa ja suojalukituksen ohitettaessa olet alttiina näkyvämmälle laserisäteilylle. Älä katso säteeseen!

(GB) After servicing and before returning the set to customer perform a leakage current measurement test from all exposed metal parts to earth ground, to assure no shock hazard exists. The leakage current must not exceed 0.5mA.

(F) "Pour votre sécurité, ces documents doivent être utilisés par des spécialistes agréés, seuls habilités à réparer votre appareil en panne".

INFORMATION ABOUT LEAD-FREE SOLDERING

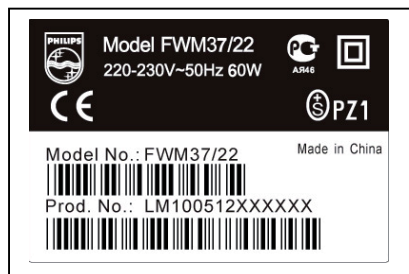
Philips CE is producing lead-free sets from 1.1.2005 onwards.

IDENTIFICATION:

Regardless of special logo (not always indicated) one must treat all sets from 1 Jan 2005 onwards, according next rules:



Example S/N:



Bottom line of typeplate gives a 14-digit S/N. Digit 5&6 is the year, digit 7&8 is the week number, so in this case 2005 wk12

So from 0501 onwards = from 1 Jan 2005 onwards

Important note: In fact also products of year 2004 must be treated in this way as long as you avoid mixing solder-alloys (leaded/ lead-free). So best to always use SAC305 and the higher temperatures belong to this.

Due to lead-free technology some rules have to be respected by the workshop during a repair:

- Use only lead-free solder alloy Philips SAC305 with order code 0622 149 00106. If lead-free solder-paste is required, please contact the manufacturer of your solder-equipment. In general use of solder-paste within workshops should be avoided because paste is not easy to store and to handle.
- Use only adequate solder tools applicable for lead-free solder alloy. The solder tool must be able
 - To reach at least a solder-temperature of 400°C,
 - To stabilize the adjusted temperature at the solder-tip
 - To exchange solder-tips for different applications.
- Adjust your solder tool so that a temperature around 360°C – 380°C is reached and stabilized at the solder joint. Heating-time of the solder-joint should not exceed ~ 4 sec. Avoid temperatures above 400°C otherwise wear-out of tips will rise drastically and flux-fluid will be destroyed. To avoid wear-out of tips switch off un-used equipment, or reduce heat.
- Mix of lead-free solder alloy / parts with leaded solder alloy / parts is possible but PHILIPS recommends strongly to avoid mixed solder alloy types (leaded and lead-free).
If one cannot avoid or does not know whether product is lead-free, clean carefully the solder-joint from old solder alloy and re-solder with new solder alloy (SAC305).
- Use only original spare-parts listed in the Service-Manuals. Not listed standard-material (commodities) has to be purchased at external companies.
- **Special information for BGA-ICs:**
 - always use the 12nc-recognizable soldering temperature profile of the specific BGA (for de-soldering always use the lead-free temperature profile, in case of doubt)
 - lead free BGA-ICs will be delivered in so-called 'dry-packaging' (sealed pack including a silica gel pack) to protect the IC against moisture. After opening, dependent of MSL-level seen on indicator-label in the bag, the BGA-IC possibly still has to be baked dry. (MSL=Moisture Sensitivity Level). This will be communicated via AYS-website. Do not re-use BGAs at all.
- For sets produced before 1.1.2005 (except products of 2004), containing leaded solder-alloy and components, all needed spare-parts will be available till the end of the service-period. For repair of such sets nothing changes.
- On our website www.atyourservice.ce.Philips.com you find more information to:
 - BGA-de-/soldering (+ baking instructions)
 - Heating-profiles of BGAs and other ICs used in Philips-sets

You will find this and more technical information within the "magazine", chapter "workshop news".

For additional questions please contact your local repair-helpdesk.

SERVICE INSTRUCTION

Safety regulations require that after a repair, the set must be returned in its original condition. Pay in particular attention to the following points:

- Route the wire trees correctly and fix them with the mounted cable clamps.
- Check the insulation of the AC Power lead for external damage.
- Check the strain relief of the AC Power cord for proper function.
- Check the electrical DC resistance between the AC Power Plug and the secondary side (only for sets which have a AC Power isolated power supply):
 1. Unplug the AC Power cord and connect a wire between the two pins of the AC Power plug.
 2. Set the AC Power switch to the "on" position (keep the AC Power cord unplugged!).
 3. Measure the resistance value between the pins of the AC Power plug and the metal shielding of the tuner or the aerial connection on the set. The reading should be larger than 4.5 Mohm (For U.S. it should be between 4.2 Mohm and 12 Mohm).
 4. Switch "off" the set, and remove the wire between the two pins of the AC Power plug.
- Check the cabinet for defects, to avoid touching of any inner parts by the customer.

TECHNICAL SPECIFICATIONS

AMPLIFIER

Output power 2 x 25 W RMS/150W total power
 Signal-to-noise ratio ≥ 70 dBA
 Frequency response 20 Hz – 20 KHz, ± 3 dB
 Input sensitivity AUX 0.5 V (max. 2 V)
 Impedance loudspeakers 8 Ω
 Impedance headphones 32 Ω
 Output power headphones <50 mW

CD PLAYER

Frequency range 20 Hz – 20 kHz
 Signal-to-noise ratio 70 dBA

TUNER

FM Frequency range 87.5-108 MHz
 FM Noise limit sensitivity ≤ 20 mV/M
 FM S/N ≥ 46 dB
 AM Frequency range 520-1710 kHz
 AM Noise limit sensitivity ≤ 3.0 mV/m
 AM S/N ≥ 40 dB

USB PLAYER

USB 12Mb/s, V1.1
 support MP3 and WMA files
 Number of albums/folders maximum 99
 Number of tracks/titles maximum 400

SPEAKERS

Bass reflex system
 Dimensions (w x h x d) . 150 x 150 x 215 (mm)

GENERAL INFORMATION

AC Power 120 V / 60 Hz
 Dimensions (w x h x d) . 208 x 156 x 268 (mm)
 Weight(with/without speakers) 4.30 / 2.31 kg
 Standby power consumption <7 W
 Eco power standby <1 W

Specifications and external appearance are subject to change without notice.

SERVICE TOOLS

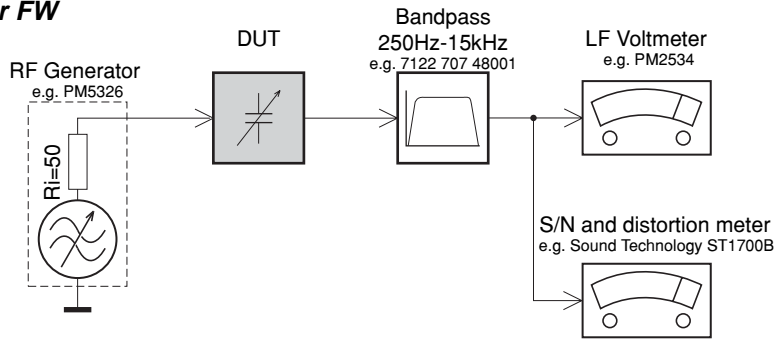
TORX T10 screwdriver with shaftlength 150mm.....	4822 395 50423
TORX screwdriver set SBC 163.....	4822 295 50145
Audio signal disc SBC 429.....	4822 397 30184
Playability test disc SBC 444.....	4822 397 30245
Test disc 5 (disc without errors) +	
Test disc 5A (disc with dropout errors, black spots and fingerprints)	
SBC 426/426A.....	4822 397 30096
Burn in test disc (65 min. 1kHz signal at -30 dB level without "pause").....	4822 397 30155
Universal test cassette Fe SBC 420.....	4822 397 30071

AVAILABLE ESD PROTECTION EQUIPMENT

anti-static table mat large 1200x650x1.25mm	4822 466 10953
small 600x650x1.25mm	4822 466 10958
anti-static wristband	4822 395 10223
connection box (3 press stud connections, 1M Ω)	4822 320 11307
extendible cable (2m, 2M Ω , to connect wristband to connection box)	4822 320 11305
connecting cable (3m, 2M Ω , to connect table mat to connection box)	4822 320 11306
earth cable (1M Ω , to connect any product to mat or to connection box)	4822 320 11308
KIT ESD3 (combining all 6 prior products - small table mat)	4822 310 10671
wristband tester	4822 344 13999

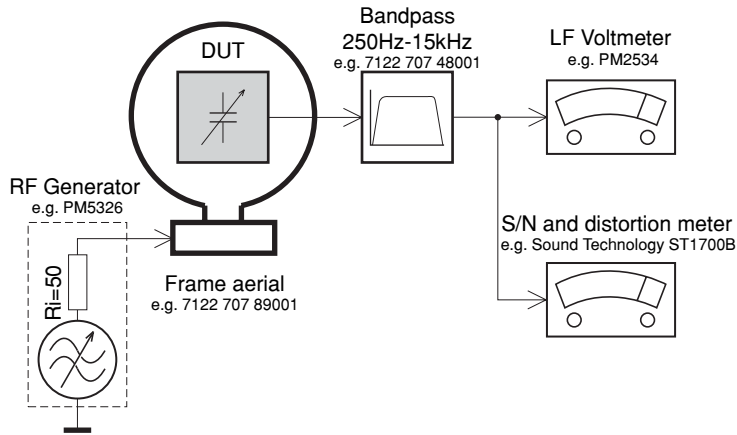
SERVICE MEASUREMENT

Tuner FW



Use a bandpass filter to eliminate hum (50Hz, 100Hz) and disturbance from the pilotone (19kHz, 38kHz).

Tuner AM (MW,LW)



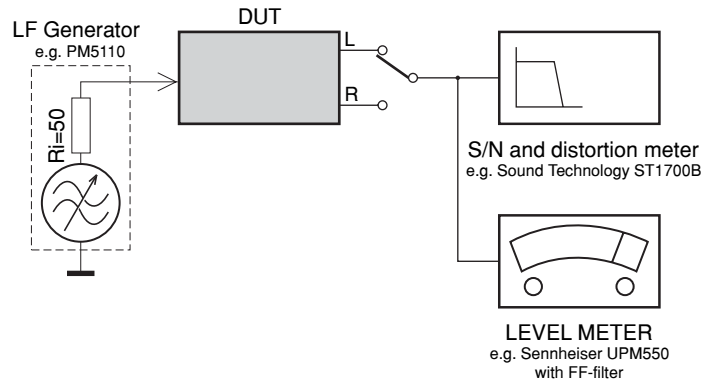
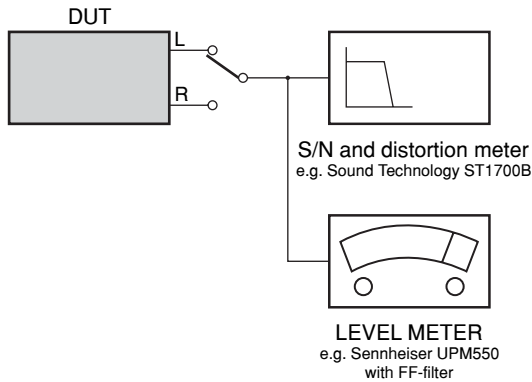
To avoid atmospheric interference all AM-measurements have to be carried out in a Faraday cage. Use a bandpass filter (or at least a high pass filter with 250kHz) to eliminate hum (50Hz, 100Hz).

CD

Use Audio Signal Disc SBC429 4822 397 30184 (replaces test disc 3)

RECORDER

Use Universal Test Cassette Fe SBC420 4822 397 30071



CONNECTION AND CONTROLS

Controls

Controls (illustrations on page 3 and 4)

Controls on the system and remote control

- ① **STANDBY-ON/ECO POWER** switches the system on or to Eco Power standby/normal standby with clock display.
- ② **Display screen**
– shows the status of the system.
- ③ opens/closes the CD door.
- ④ **IR SENSOR**
– remote sensor
- ⑤ **VOLUME -/+ (VOL +/-)**
– adjusts the volume level.
– adjusts the hours and minutes for the clock/timer function.
- ⑥ **CD Door**
- ⑦ for CD/MP3-CD/WMA/USB/iPod fast searches back and forward within a track/disc (press and hold).
.....skips to the beginning of a current/previous/subsequent track.
- ⑧ **■/PRESET +**
– stops disc playback or erases a disc program.
– (for TUNER; on the system only) selects a preset radio station.
- ⑨ **▶ II/PRESET -**
– starts or interrupts playback.
– (for TUNER; on the system only) selects a preset radio station.
- ⑩ **ALBUM/PRESET +/-**
for MP3-CD/WMA/USB skips to the beginning of a current/previous/subsequent album.
for TUNER (on the system only) selects a preset radio station.
- ⑪ **▲ / ▼**
– selects an item in a menu (for iPod menu operation only).
- ⑫ **OK**
– confirms a selection (for iPod menu operation only).
- ⑬ **SOURCE**
– selects the respective sound source for CD/USB/TUNER/iPod/AUX.
- ⑭ **PROGRAM (PROG)**
for CD/MP3/USB programs tracks.
for TUNER programs radio stations.
- ⑮ **REPEAT/STEREO (REPEAT/ST.)**
for CD/MP3/WMA/USB selects a repeat playback mode.
for TUNER sets stereo or mono sound mode.
- ⑯ **SHUFFLE**
– plays disc tracks randomly.
- ⑰ **SLEEP/TIMER**
– sets the timer function.
– selects the sleeper time.
- ⑱ **CLOCK**
– sets the clock function.
- ⑲ **INTRO**
for CD/MP3/WMA/USB starts scanning of all tracks.
- ⑳ **MUTE**
– interrupts and resumes sound production.
- ㉑ **DSC (Digital Sound Control)**
– selects sound characteristics: POP/JAZZ/CLASSIC/ROCK/FLAT.
- ㉒ **DBB (Dynamic Bass Boost)**
– enhances the bass.
- ㉓ **DISPLAY/MENU**
– selects different disc information display modes during playback.
– is equivalent to the MENU button on your iPod player.
- ㉔ **DIM**
– selects different levels of brightness for the display screen.
- ㉕ **Numerical Keypad (0-9)**
– (for CD/MP3) selects a track directly.
- ㉖ **LOUD**
– enables or disables automatic loudness adjustment.
- ㉗ **SHIFT**
– inputs a number larger than 10 (used together with the Numerical Keypad).
- ㉘ connects a headphone.
- ㉙ **USB DIRECT** jack for the external USB mass storage device.

Notes for remote control:

- First select the source you wish to control by pressing one of the source select keys on the remote control (for example CD, TUNER).
- Then select the desired function (for example , , , , ,).

Troubleshooting

WARNING

Under no circumstances should you try to repair the system yourself, as this will invalidate the warranty. Do not open the system as there is a risk of electric shock.

If a fault occurs, first check the points listed below before taking the system for repair. If you are unable to remedy a problem by following these hints, consult your dealer or Philips for help.

Problem	Solution
"NO DISC" is displayed.	<ul style="list-style-type: none"> ✓ Insert a disc. ✓ Check if the disc is inserted upside down. ✓ Wait until the moisture condensation at the lens has cleared. ✓ Replace or clean the disc, see "Maintenance". ✓ Use a finalised CD-RW or correct format disc.
Radio reception is poor.	<ul style="list-style-type: none"> ✓ If the signal is too weak, adjust the antenna or connect an external antenna for better reception. ✓ Increase the distance between the Micro HiFi System and your TV or VCR.
The system does not react when buttons are pressed.	<ul style="list-style-type: none"> ✓ Remove and reconnect the AC power plug and switch on the system again.
Sound cannot be heard or is of poor quality.	<ul style="list-style-type: none"> ✓ Adjust the volume. ✓ Disconnect the headphones. ✓ Check that the speakers are connected correctly. ✓ Check if the stripped speaker wire is clamped.
The left and right sound outputs are reversed.	<ul style="list-style-type: none"> ✓ Check the speaker connections and location.
The remote control does not function properly.	<ul style="list-style-type: none"> ✓ Select the source (CD or TUNER for example) before pressing the function button (▶II, S / T). ✓ Reduce the distance between the remote control and the system. ✓ Insert the battery with its polarities (+/- signs) aligned as indicated. ✓ Replace the battery. ✓ Point the remote control directly toward IR sensor on the front of the system.
The timer is not working.	<ul style="list-style-type: none"> ✓ Set the clock correctly. ✓ Switch on the timer.
The Clock/Timer setting is erased.	<ul style="list-style-type: none"> ✓ Power has been interrupted or the power cord has been disconnected. Reset the clock/timer.

English

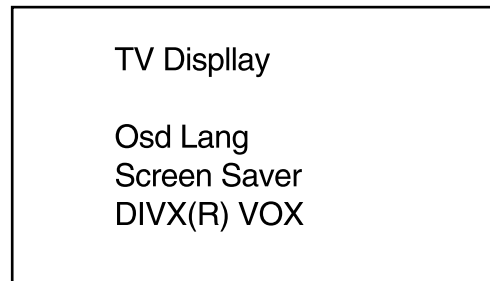
Troubleshooting

Problem	Solution
Some files on the USB device are not displayed.	<ul style="list-style-type: none"> ✓ Check if the number of folders exceeds 99 or the number of titles exceeds 400.
"DEVICE NOT SUPPORTED" scrolls on the display.	<ul style="list-style-type: none"> ✓ Remove the USB mass storage device or select another source.
The STOP ■ and some buttons on MCM704D and its remote control have no function.	<ul style="list-style-type: none"> ✓ The playback of the docked player cannot be stopped using the STOP ■ button on MCM704D and its remote control. ✓ Only the following buttons are available: ▶II, ◀◀, ▶▶, ▲, ▼, DISPLAY/MENU and OK.

SOFTWARE VERSION CHECK AND UPGRADING**A.MPEG SOFTWARE VERSION CHECK**

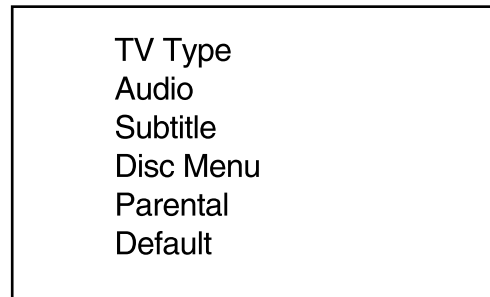
1.Press SYSTEM key (on the remote control) to open setup page,

TV Screen shows:



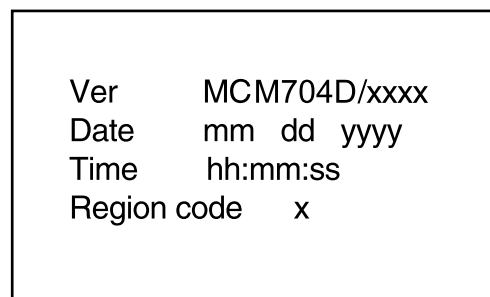
2.Press REMOVAL key (on the remote control) to the original setup page,

TV Screen shows:



3.Enter the password "811502" (on the remote control)

TV Screen shows:

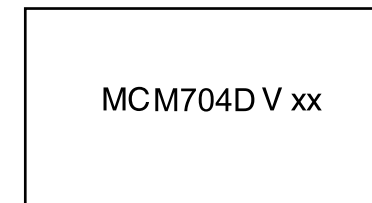


4.Press ▲ or ▼ button (on the remote control) to change region.
Press OK to confirm.

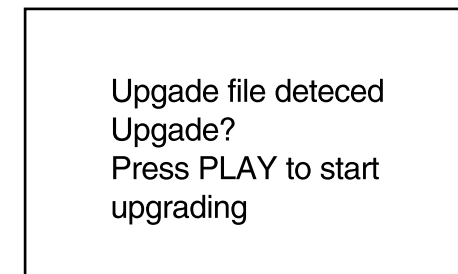
B.CPU VERSION CHECK

Keep PLAY/PAUSE and STOP buttons (on the set) depressed while pressing POWER on.

TV screen shows

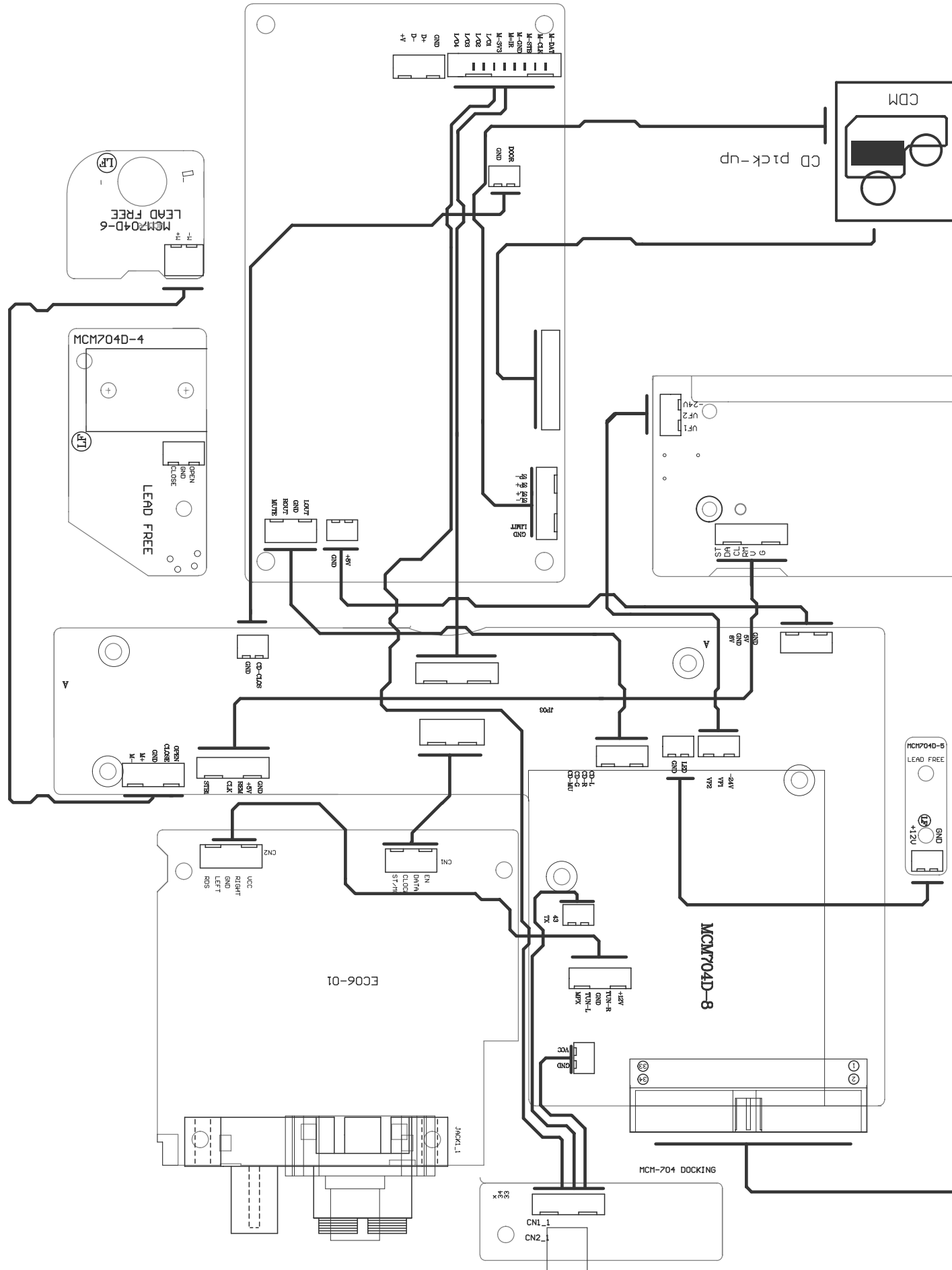
**C. MPEG SOFTWARE UPGRADING**

1. download the firmware from Philips support website
<http://www.philips.com/support>
2. Prepare a uploading CD
3. Put the CD in the CD tray
4. TV Screen shows

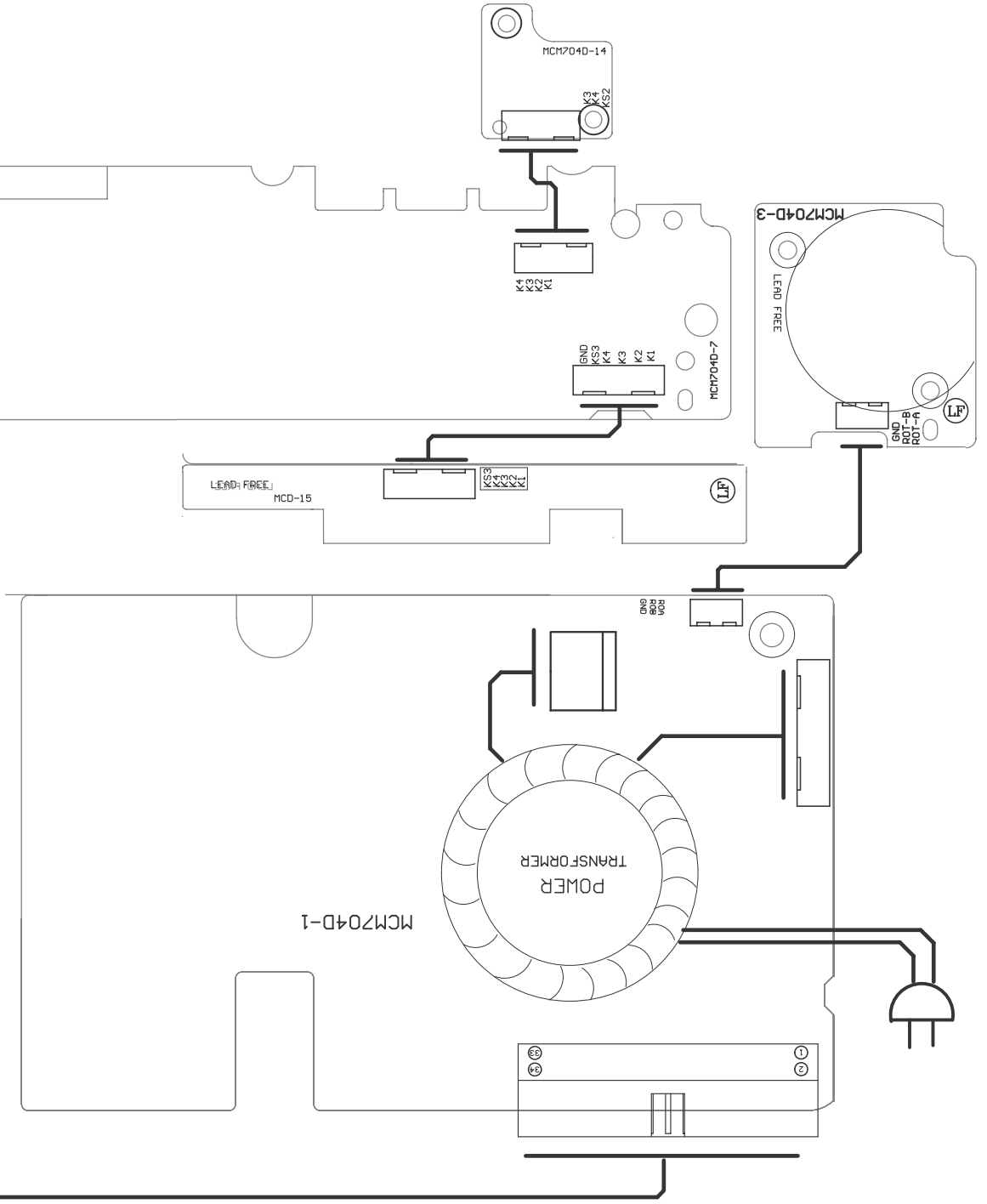


SET WIRING DIAGRAM

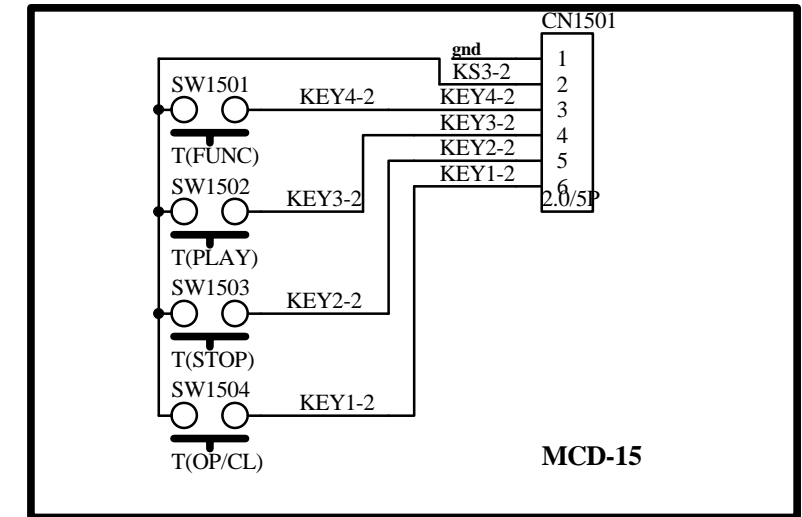
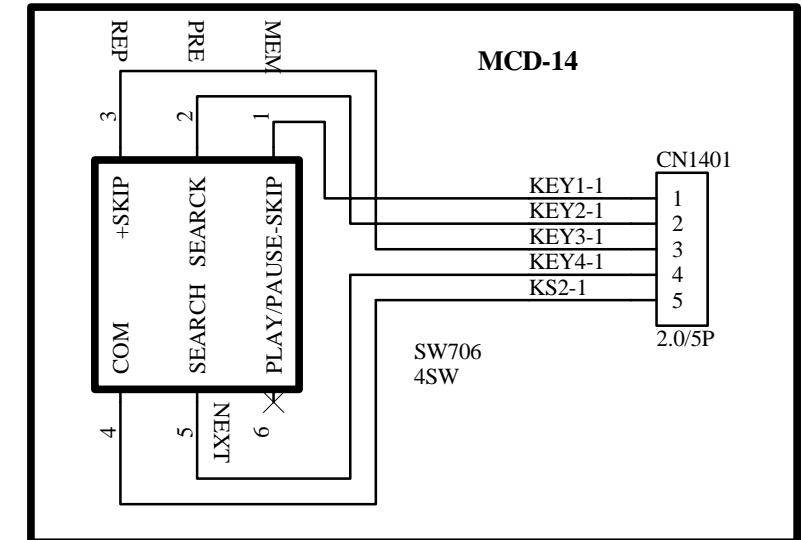
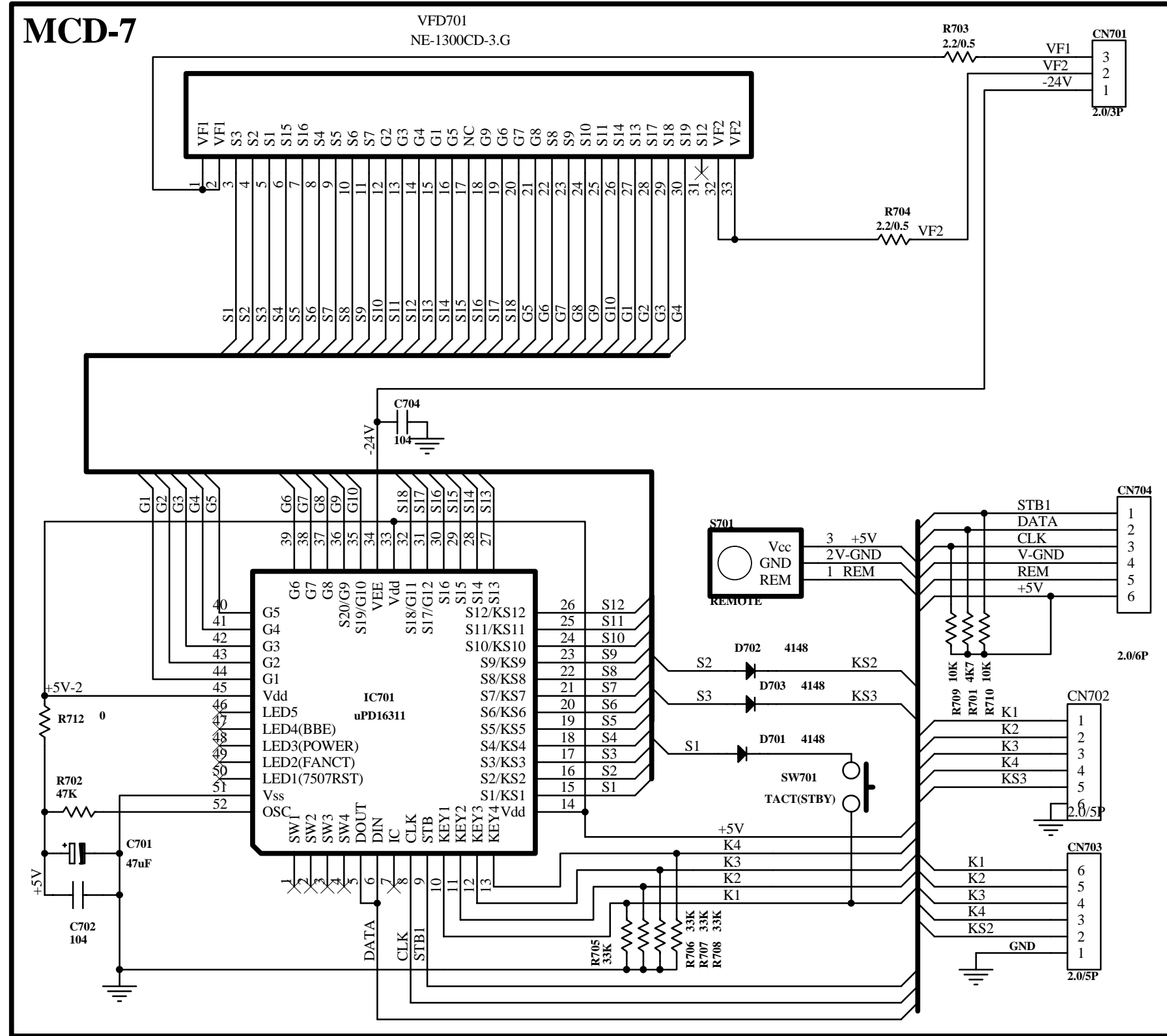
6 - 1



6 - 1



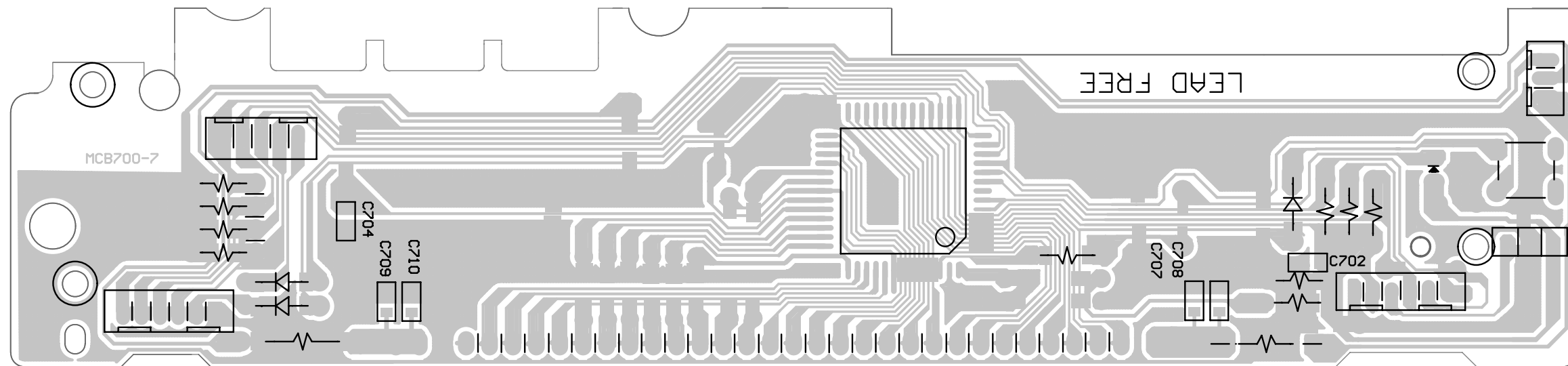
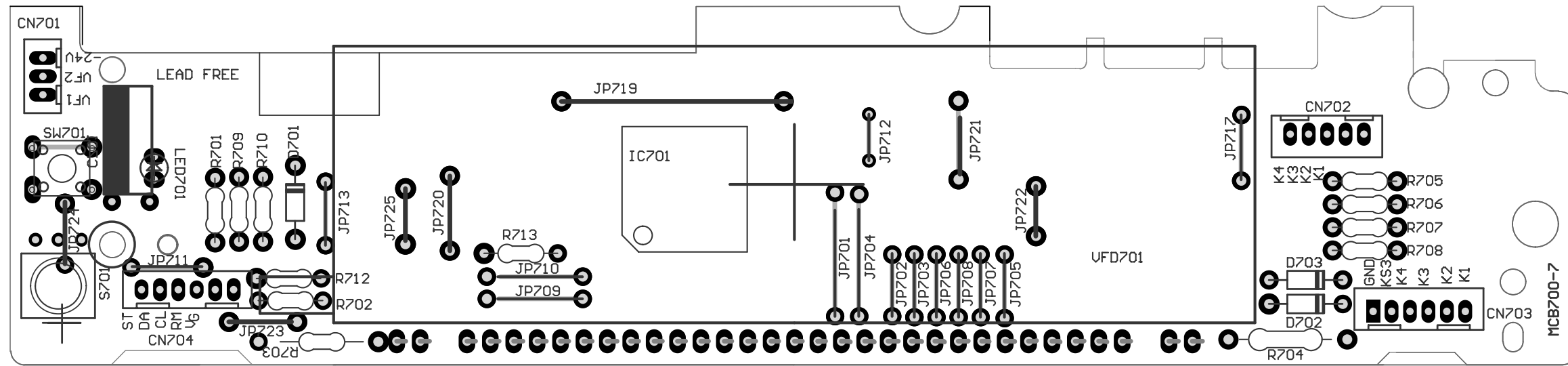
CIRCUIT DIAGRAM - VFD BOARD



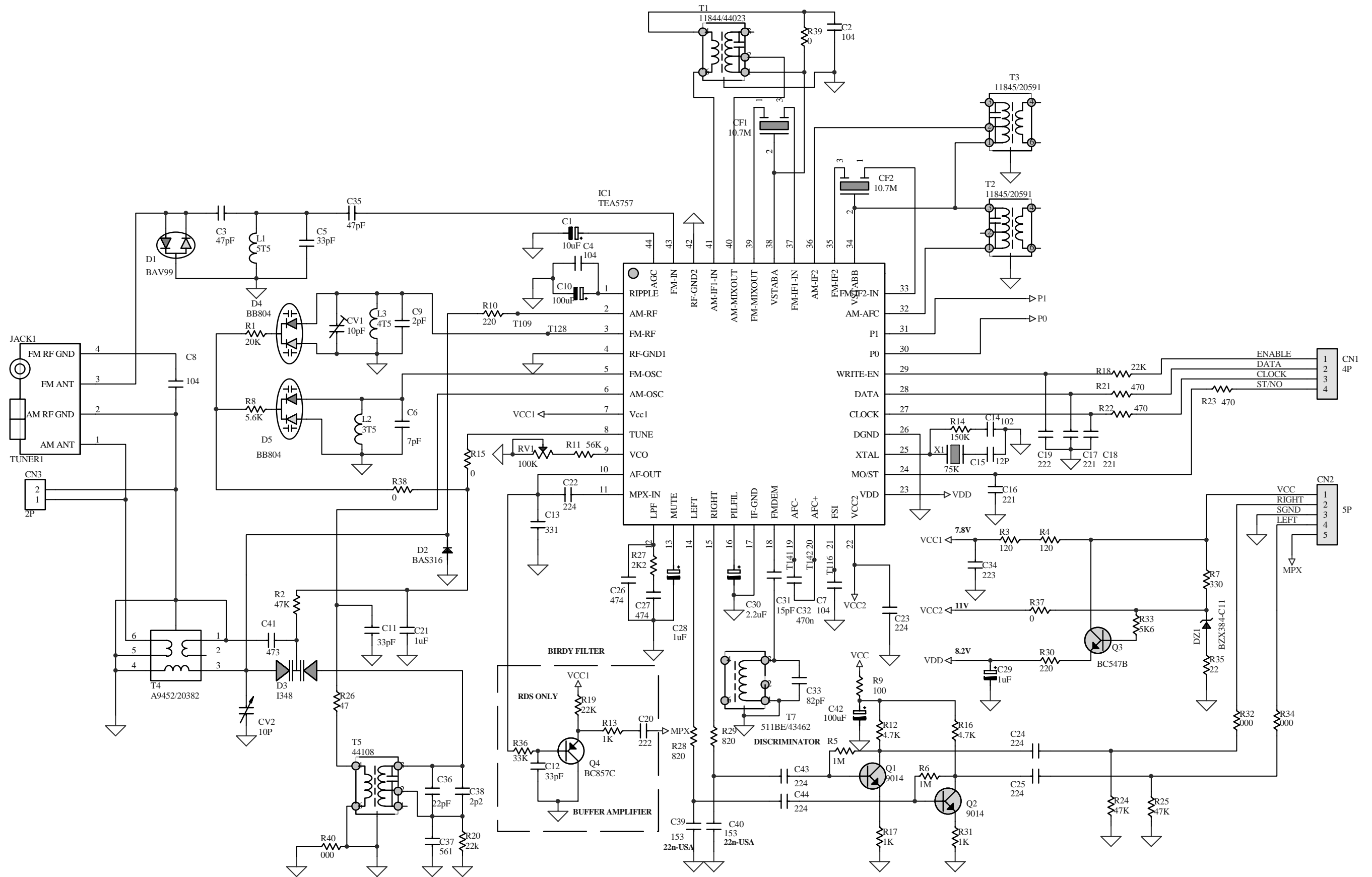
All parts comply with supplier environment
protect material regulated by green environment management

note: tolerance RES±10% CAP±20%,
special parts noted beside parts

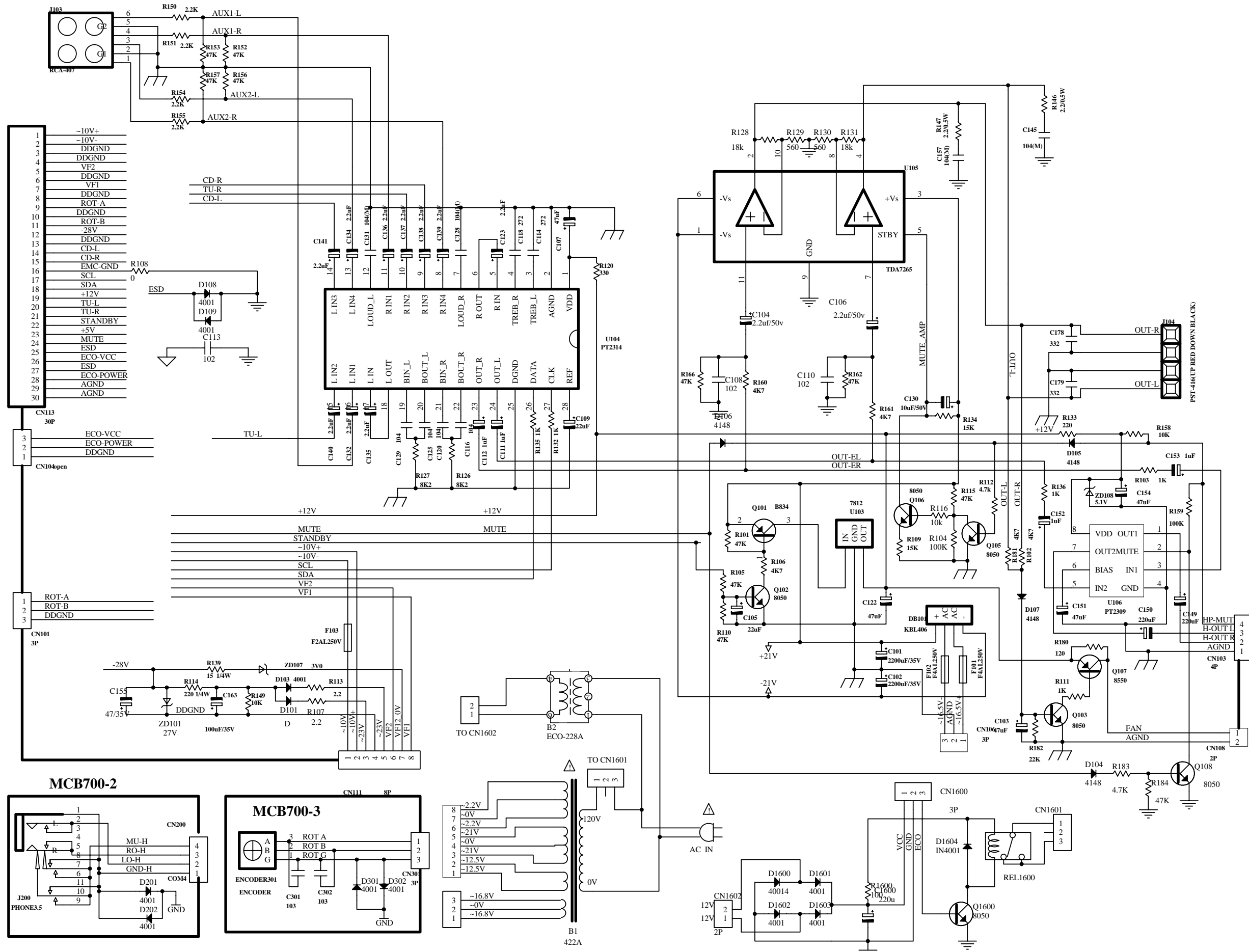
LAYOUT DIAGRAM - VFD BOARD



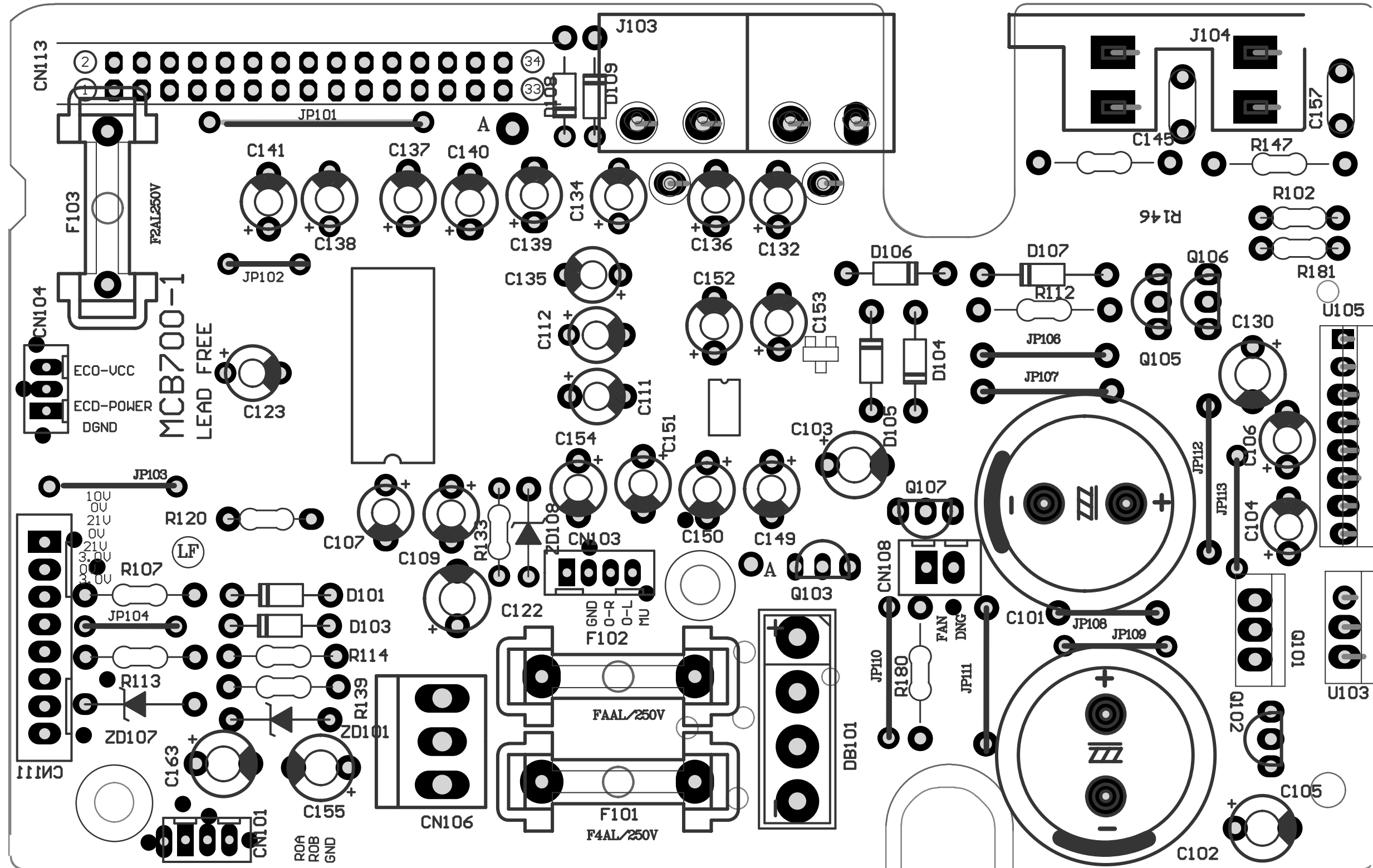
CIRCUIT DIAGARM - TUENR BOARD



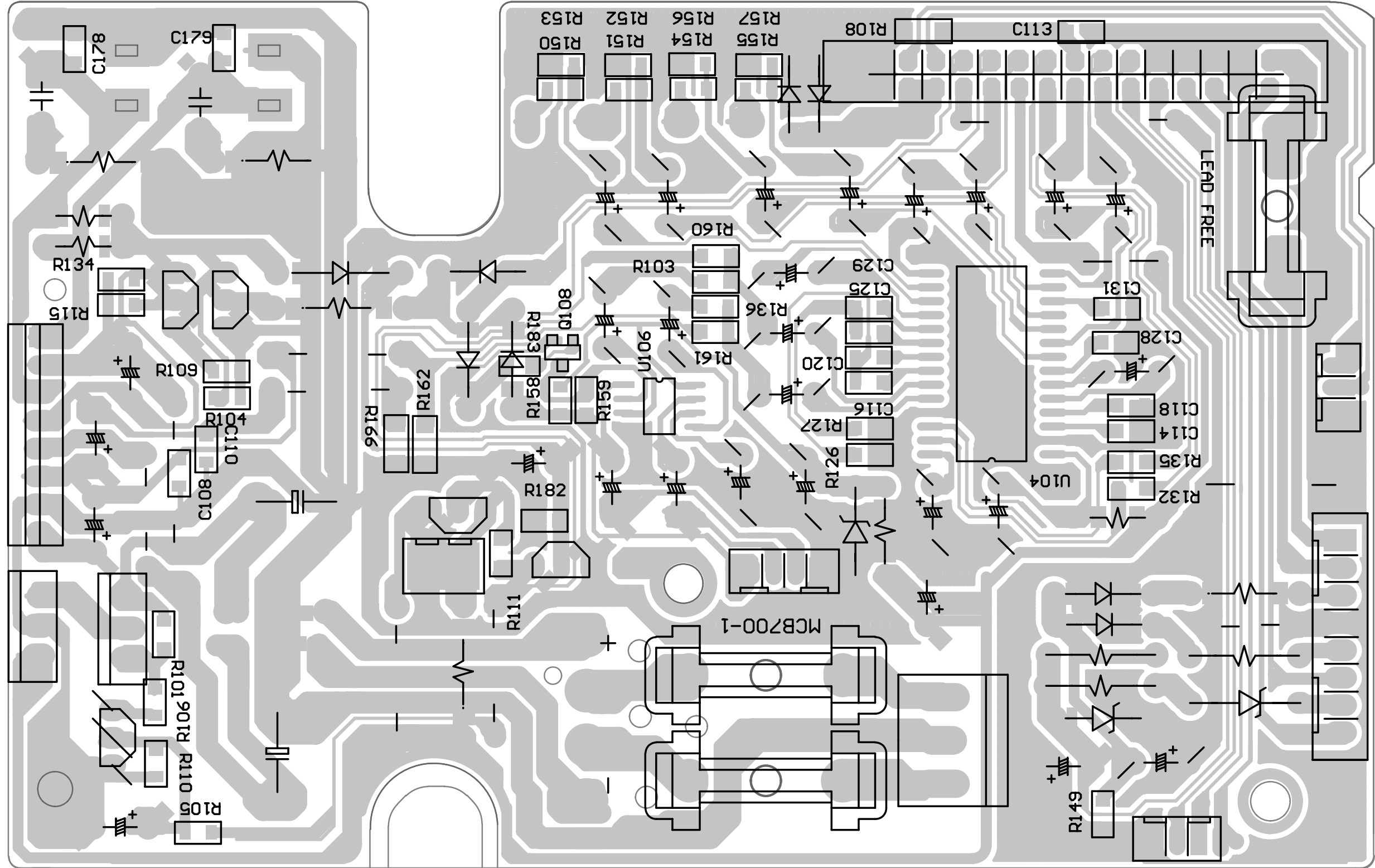
CIRCUIT DIAGRAM - AMP BOARD PART 1



LAYOUT DIAGRAM - AMP BOARD
PART 2



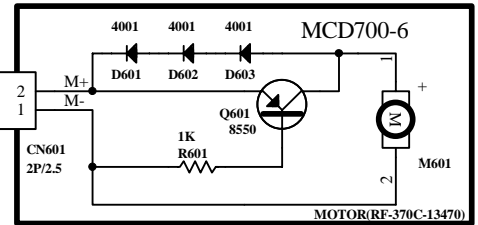
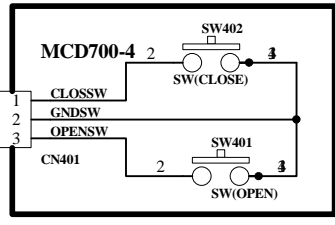
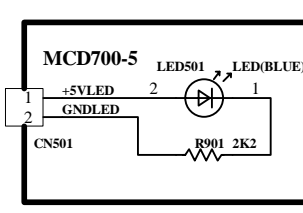
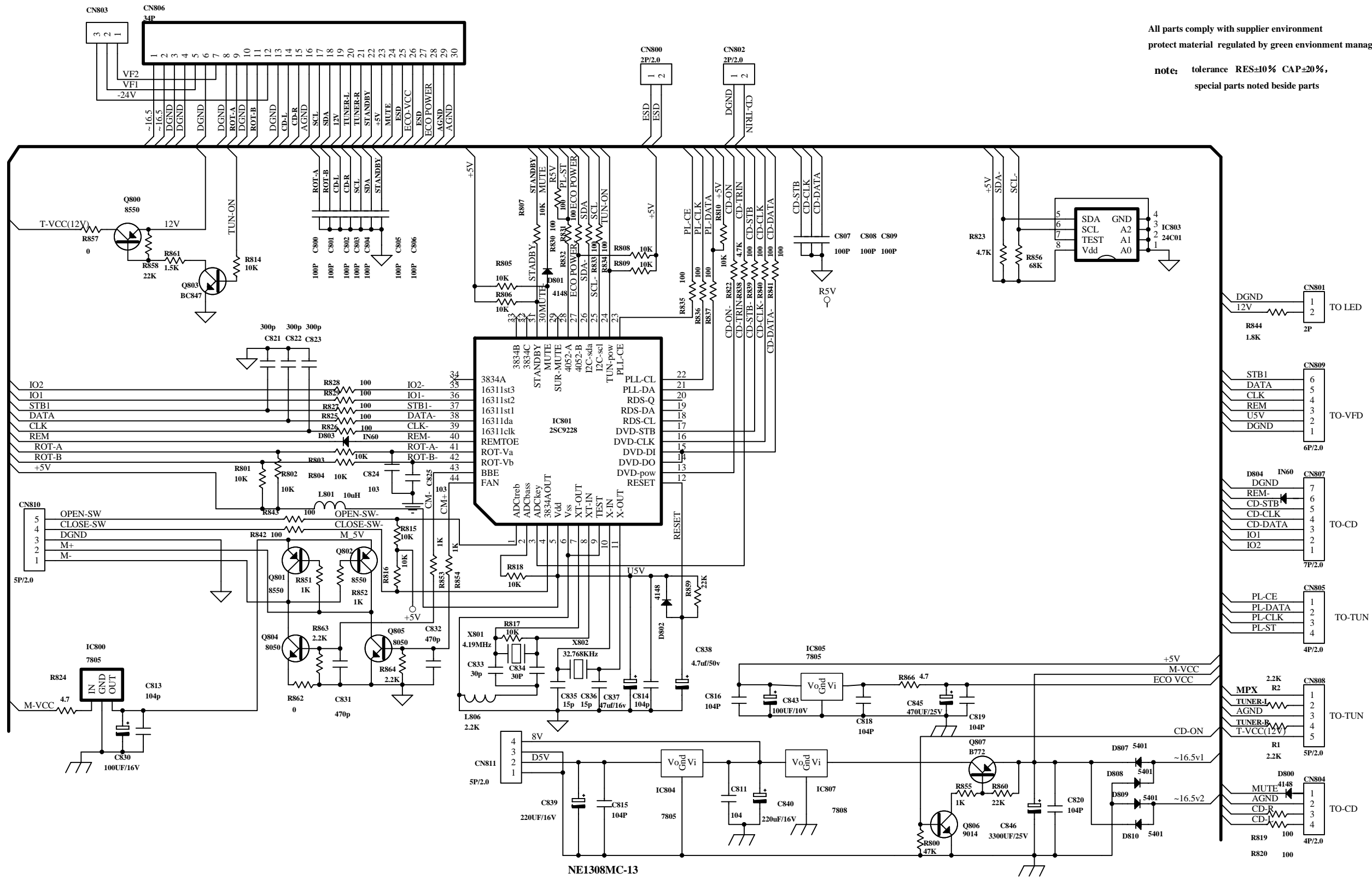
LAYOUT DIAGRAM - AMP BOARD



CIRCUIT DIAGRAM - CPU BOARD

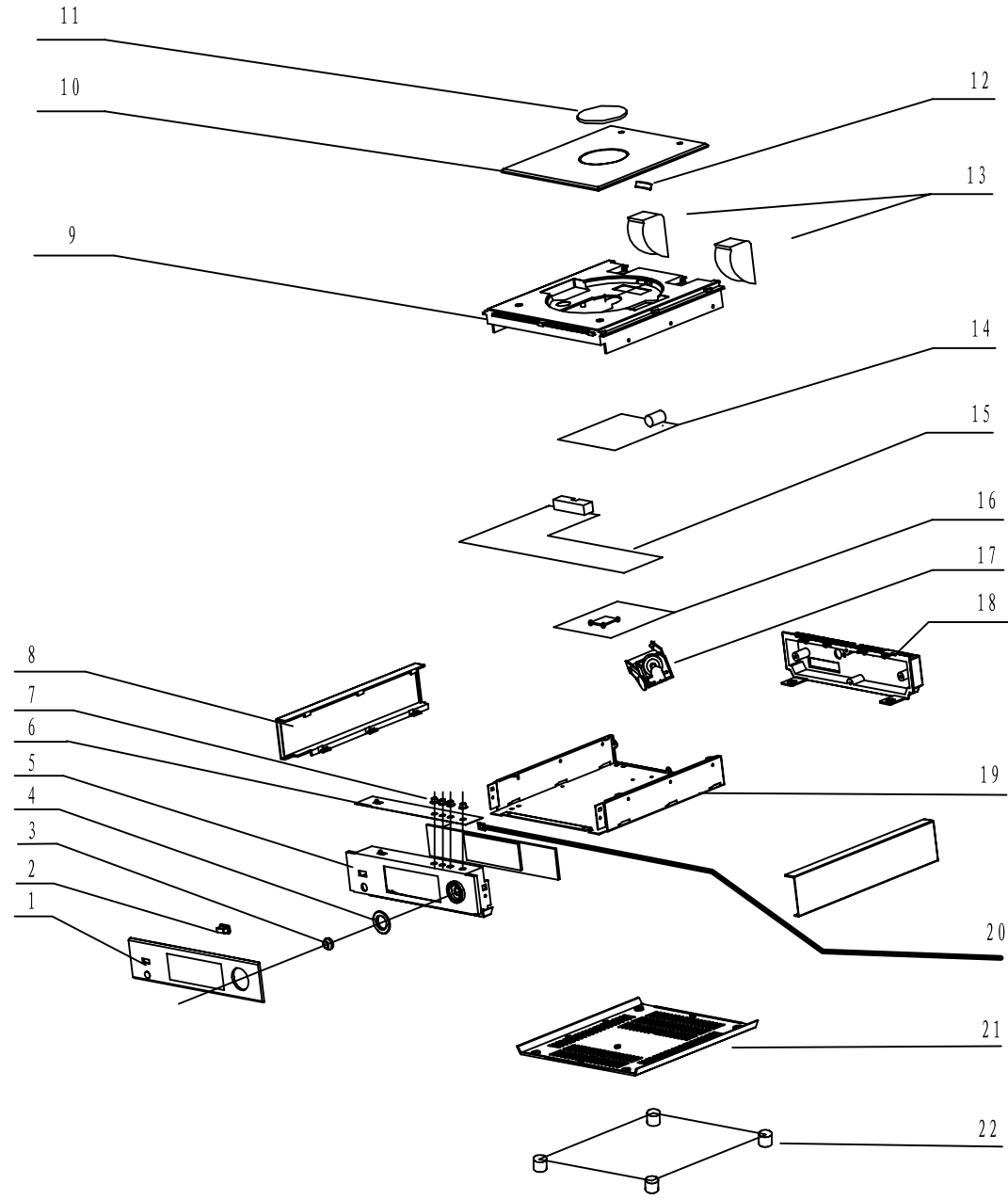
All parts comply with supplier environment
protect material regulated by green environment management

note: tolerance RES±10% CAP±20%,
special parts noted beside parts

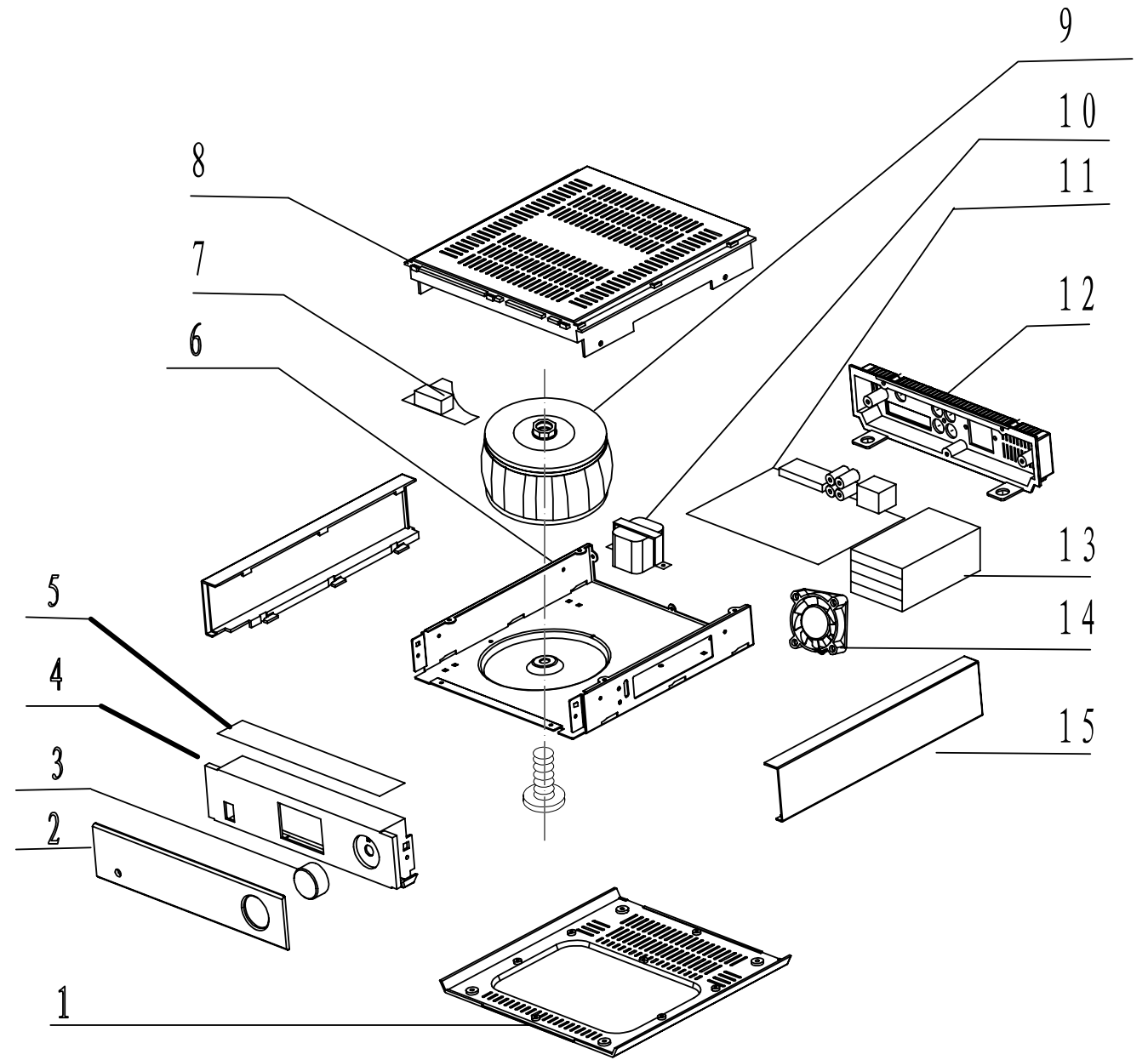


EXPLODED VIEW DIAGRAM

DVD PART



AMP PART



SERVICE PARTS LIST

996510003776 **DVD UNIT PARTS ASSY MCM704D/37**
 996510003785 DOKING OUTPUT PCB ASS'Y
 996510003786 TUNER BOARD PCB ASS'Y EC06-01
 996510003603 SERVO PCB ASS'Y M5671U-A1
 996510003048 CD DISC ASS'Y MCB700

996510003777 CPU PCB ASS'Y MCM704D
 996510003778 DOOR SWITCH PCB ASS'Y
 996510003779 LAMP PCB ASS'Y MCM704D
 996510003780 MOTOR PCB ASS'Y MCM704D
 996510003781 PUSH KEY PCB ASS'Y MCM704D

996510003782 SWITCH PCB ASS'Y MCM704D
 996510003783 USB PCB ASS'Y MCM704D
 996510003784 DISPLAY PCB ASS'Y MCM704D

996510003787 **AMP UNIT PARTS ASSY MCM704D/37**
 996510003788 AMP PCB ASS'Y MCM704D
 996510003789 POWER CONTROL PCB ASS'Y
 996510003790 VOLUME PCB ASS'Y MCM704D
 996510003791 PHONE PCB ASS'Y MCM704D

996510003792 TRANSFORMER 422A-37 120V/60 UL
 994000005072 POWER TRANSFORMER ECO-228A-37
 996510003793 AC LINE CORD 1.95m UL

ACCESSORIES

996500041018 FM ANTENNA WIRE 1.5m
 996500041019 CONTROL CABLE WIRE 300 2.5/30P
 996510003245 SPEAKER WIRE 1.5M
 996510003794 DOCKING CRADLE DC301B SET
 996500041615 AM ANTENNA ASS'Y

 996510003795 SPEAKER BOX ASS'Y (R+L)
 996510003796 SPEAKER BOX ASS'Y (L)
 996510003797 SPEAKER BOX ASS'Y(R)
 996510003798 REMOTE CONTROL ASS'Y PRC500-26
 996500041022 BRACKET ASS'Y PH MCD700

Note: Only these parts mentioned in the list are normal service parts.

MCM704D BOM

BOM NO.	DESCRIPTION	QTY	UNIT	USAGE
09-MCM704D-01A101	CD UNIT PARTS ASS'Y MCM704D/37	1	SET	
07-MCM704D-08A101	CPU PCB ASS'Y MCM704D	1	SET	
15000005	FIXED INDUCTOR 10u 52	2	PCS	L801, 800
22000018	CERMIC FILTER FREQUENCY 4.19mHz	1	PCS	X801
13000193	CARBON FILM RESISTOR 10K 1/8W J-52	1	PCS	R809
13000085	CHIP RESISTOR 1.5K 1/16W J (0805)	1	PCS	R861
13000065	CHIP RESISTOR 100 1/16W J (0805)	18	PCS	R825-831, 833-843
13000124	CHIP RESISTOR 4.7K 1/16W J (0805)	1	PCS	R870
13000530	CHIP RESISTOR 100 1/4W J(1206)	1	PCS	R832
13000070	CHIP RESISTOR 10K 1/16W J (0805)	14	PCS	R801-808, 810, 814-818
13000067	CHIP RESISTOR 1K 1/16W J (0805)	7	PCS	R851, 852, 855, R853, R854, R819, 820
13000101	CHIP RESISTOR 2.2K 1/16W J (0805)	4	PCS	R863, 864, R1, R2
13000416	CARBON FILM RESISTOR 4.7 1/2W J	1	PCS	R824
13000386	CARBON FILM RESISTOR 47 1/4W J-52	1	PCS	R866
13000103	CHIP RESISTOR 22K 1/16W J (0805)	3	PCS	R858-860
13000793	CHIP RESISTOR 4.7K 1/4W J (1206)	1	PCS	R821
13000124	CHIP RESISTOR 4.7K 1/16W J (0805)	2	PCS	R822, 823
13000127	CHIP RESISTOR 47K 1/16W J (0805)	1	PCS	R800
13000137	CHIP RESISTOR 68K 1/16W J (0805)	1	PCS	R856
13000267	CARBON FILM RESISTOR 1.8K 1/8W J-52	1	PCS	R844
14000373	CHIP CERAMIC CAP. 100P 50V K (0805) X7R	8	PCS	C800, 801, 804-809
14000375	CHIP CERAMIC CAP. 102P 50V K (0805) X7R	1	PCS	C827
14000379	CHIP CERAMIC CAP. 103P 50V K (0805) X7R	2	PCS	C824, 825
14000483	CHIP CERAMIC CAP. 104P 100V M (0805) Y5V	7	PCS	C811, 813, 814, 816, 818-820
14000415	CHIP CERAMIC CAP. 30p 50V J(0805) NPO	2	PCS	C833, 834
14000420	CHIP CERAMIC CAP. 330P 50V K (0805) X7R	3	PCS	C821-823
14000395	CHIP CERAMIC CAP. 15p 50V J(0805) NPO	2	PCS	C835, 836
14000435	CHIP CERAMIC CAP. 470P 50V K (0805) X7R	2	PCS	C831, 832
14000199	ELECTROLYTIC CAP. 100u 16V L-5 5X11	1	PCS	C830
14000236	ELECTROLYTIC CAP. 22u 16V L 5X11	1	PCS	C810
14000256	ELECTROLYTIC CAP. 220u 16V L-5 6.3X11	1	PCS	C840
14000552	ELECTROLYTIC CAP. 4.7u 50V L L10 5X11	1	PCS	C838
14000321	ELECTROLYTIC CAP. 47u 16V L-5 5X11	2	PCS	C837, 844
14000351	ELECTROLYTIC CAP. 470u 25V L 8X16	1	PCS	C845

MCM704D BOM

BOM NO.	DESCRIPTION	QTY	UNIT	USAGE
14000294	ELECTROLYTIC CAP. 3300u 25V L 16X25	1	PCS	C846
14001036	ELECTROLYTIC CAP 100u 10V L-5 5X7	1	PCS	C843
16000115	DIODE IN60 L26	1	PCS	D804
16000104	RECTIFIER DIODE 4001-52	3	PCS	D811, 813, 814
16000110	RECTIFIER DIODE 5401	4	PCS	D807-810
17000005	CHIP TRANSISTOR BC817-25	2	PCS	Q806, Q803
17000015	TRANSISTOR B834-Y	1	PCS	Q807
17000025	TRANSISTOR 8050C-5	2	PCS	Q805, 804
16000018	DIODE 4148-52	3	PCS	D800, 801, 802
17000030	TRANSISTOR 8550C-5	3	PCS	Q800, 801, 802
19000071	IC AT24C02-PC27 (2.7V) SOP PACKING	1	PCS	IC803
19000103	IC LM7805/LM340T5 7805	2	PCS	IC800, 805
19000106	IC 7806CT	1	PCS	IC807
22000021	CRYSTAL OSC FREQ. 32.768KHz Φ 3XH8 \pm 10PPM	1	PCS	X802
25000010	PIN CONNECTOR (BENDING) 2.5/2P	1	PCS	CN800
25000014	PINS CONNECTOR 2.0/3P	1	PCS	CN803
25000025	PINS CONNECTOR 2.0/4P	2	PCS	CN804, CN811
25000016	PINS CONNECTOR 2.5/3P	1	PCS	IC807
25000044	PINS CONNECTOR 2.0/7P	1	PCS	CN807
25000040	PINS CONNECTOR 2.0/6P	1	PCS	CN809
25000075	PIN CONNECTOR 30P BENDING L=8.8	1	PCS	CN806
25000009	PINS CONNECTOR 2.0/2P	2	PCS	CN801, 802
35-MCM704D-08A1	CPU PCB MCM704D-08A1	1	PCS	
25001931	28WIRE 70 2.5/4PX1 2.0/4PX1	1	PCS	
25001932	26WIRE 100+70 2.0/5X12.5/2PX1 2.0/3PX1	1	PCS	
25001882	26WIRE 150	1	PCS	
07-MCM704D-04A101	DOOR SWITCH PCB ASS'Y MCM704D	1	SET	
23000047	SPECIAL SWITCH TC-V030A	2	PCS	SW401, 402
25000014	PINS CONNECTOR 2.0/3P	1	PCS	CN401
35-MCM704D-04A1	DOOR SWITCH PCB MCM704D-04A1	1	PCS	
37-NE1300-02A100	NE-1300 SWITCH BRACKET	1	PCS	
38000049	SCREW 3 X 4 BM NICKEL-PLATE	2	PCS	
07-MCM704D-05A101	LAMP PCB ASS'Y MCM704D	1	SET	
16000038	LED LAMP (BLUE) 3R4CB71D-2B-208	1	PCS	LED

MCM704D BOM

BOM NO.	DESCRIPTION	QTY	UNIT	USAGE
35-MCM704D-05A1	LAMP PCB MCM704D-05A1	1	PCS	
25002020	28WIRE 180 2.0/2P	1	PCS	
07-MCM704D-06A101	MOTOR PCB ASS'Y MCM704D	1	SET	
25000012	PINS CONNECTOR 2.5/2P	1	PCS	CN601
34000021	MOTOR RF-370C-14410	1	PCS	
35-MCM704D-06A1	MOTOR PCB MCM704D-06A1	1	PCS	
39-NE1300-09A100	NE1300 WORM WHEEL BRACKET	1	PCS	
32000127	WORM PREFORMING NE-1300 ASS'Y SET	1	SET	
39000431	SINGLE MOTOR WHEEL WHITE	1	PCS	
36000290	LEATHER BELT NE-1300	1	PCS	
37-NE1300-01A100	1300 WORM PREFORMING	1	PCS	
38000028	SCREW 3 X 4 FM NICKEL-PLATE	2	PCS	
38000114	SCREW 3 X 10 PA NICKEL-PLATE	1	PCS	
07-MCM704D-15A101	PUSH KEY PCB ASS'Y MCM704D	1	SET	
23000024	LIGHT TOUCH SWITCH 6X6X4.3 170G	4	PCS	SW1501-1504
35-MCM704D-15A1	PUSH KEY PCB MCM704D-15A1	1	PCS	
07-MCM704D-14A101	SWITCH PCB ASS'Y MCM704D	1	SET	
23000044	SWITCH (4-DIRECTIONS) 10X10 TP-1500	1	PCS	SW706
35-MCM704D-14A1	SWITCH PCB MCM704D-14A1	1	PCS	
07-MCM704D-09A101	USB PCB ASS'Y MCM704D	1	SET	
24000019	USB A-TYPE 4 P FEMALE 90° DIP TYPE	1	PCS	J1
35-MCM704D-09A1	USB PCB MCM704D-09A1	1	PCS	
25002639	26WIRE 160 2.0/4PX1 2.0/4PX1	1	PCS	
07-MCM704D-07A101	DISPLAY PCB ASS'Y MCM704D	1	SET	
13000070	CHIP RESISTOR 10K 1/16W J (0805)	1	PCS	R709
13000071	CHIP RESISTOR 10K 1/4W J (1206)	1	PCS	R710
13000317	CARBON FILM RESISTOR 2.2 1/2W J-52	2	PCS	R703, 704
13000124	CHIP RESISTOR 4.7K 1/16W J (0805)	1	PCS	R701
13000356	CARBON FILM RESISTOR 33K 1/8W J-52	4	PCS	R705-708
13000401	CARBON FILM RESISTOR 4.7K 1/8W J-52	1	PCS	R713
13000406	CARBON FILM RESISTOR 47K 1/8W J-52	1	PCS	R702
14000483	CHIP CERAMIC CAP. 104P 100V M (0805) Y5V	2	PCS	C702, 704
14000386	CHIP CERAMIC CAP. 104P 50V M (0805) Y5V	4	PCS	C707-710
14000315	ELECTROLYTIC CAP. 47u 10V L 4X7	1	PCS	C701

MCM704D BOM

BOM NO.	DESCRIPTION	QTY	UNIT	USAGE
16000018	DIODE 4148-52	3	PCS	D701-703
19000295	IC PT6311/SC16311/CD16311	1	PCS	IC701
29000226	VFD DISPLAY NE-700D-3.GR	1	PCS	
16000157	LED DIODE 2R3JSD-UR101 RED	1	PCS	
21000016	IR SENSOR BLACK(SMALL) IMA81P14D1TD0001	1	PCS	S701
23000032	LIGHT TOUCH SWITCH TC103 6X6X5 170G	1	PCS	SW701
35-MCM704D-07A1	DISPLAY PCB MCM704D-07A1	1	PCS	
36000499	BLACK SPONGE 9X6X9 40°	1	PCS	
36000168	BLACK SPONGE 30X15X2 40°	2	PCS	
25000581	28WIRE 55 2.0/5P	1	PCS	
25000622	28 WIRE 90 2.0/6P	1	PCS	
25001845	28WIRE 280 2.0/6PX1	1	PCS	
25001936	24WIRE 190 2.0/3PX1	1	PCS	
07-MCM704D-10A101	DOKING OUTPUT PCB ASS'Y MCM704D	1	SET	
14000527	ELECTROLYTIC CAP. 1000 μ 16V L L10 10X16	1	PCS	
16000104	RECTIFIER DIODE 4001-52	1	PCS	D1
24000381	MINI USB A-TYPE 5P USB-MA-M3-59	1	PCS	CN2
25000040	PINS CONNECTOR 2.0/6P	1	PCS	CN1
25002257	32WIRE 60 BLACK	1	PCS	
35-MCM704D-10A1	DOKING OUTPUT PCB MCM704D-10A1	1	PCS	
07-EC06-01A104	TUNER BOARD PCB ASS'Y EC06-01	1	SET	
12000095	I.F.T. COIL BLACK 6295	1	PCS	T7
12000093	I.F.T. COIL BROWN 6296	1	PCS	T5
12000091	I.F.T. COIL YELLOW 6297	2	PCS	T2, 3
12000090	I.F.T. COIL BLACK 6298	1	PCS	T1
12000092	I.F.T. COIL BLACK 6299	1	PCS	T4
12000034	WOUND COIL Φ 3.5X4.5X0.5	1	PCS	L2
12000036	WOUND COIL Φ 3.5X5.5X0.5	1	PCS	L3
12000040	WOUND COIL Φ 3.5X6.5X0.5	1	PCS	L1
20000009	FM CERMIC FILTER 10.7MHz 3 PINS TDK	2	PCS	CF1, 2
34000046	RELAY 100 K OHM SF-065J-B1	1	PCS	RV1
13000290	CARBON FILM RESISTOR 220 1/8W J-52	1	PCS	R10
14000369	CHIP CERAMIC CAP. 5p 50V J(0805)NPO	3	PCS	C6, 36, 38
14000375	CHIP CERAMIC CAP. 102P 50V K (0805) X7R	1	PCS	C14

MCM704D BOM

BOM NO.	DESCRIPTION	QTY	UNIT	USAGE
14000384	CHIP CERAMIC CAP. 104P 50V K (0805) X7R	3	PCS	C4, 7, 8
14000636	CHIP CERAMIC CAP. 104P 50V M (1206) Y5V	1	PCS	C2
14000392	CHIP CERAMIC CAP. 12p 50V J(0805) NPO	1	PCS	C15
14000395	CHIP CERAMIC CAP. 15p 50V J(0805) NPO	1	PCS	C31
14000396	CHIP CERAMIC CAP. 153P 50V M (0805) Y5V	2	PCS	C39, 40
14000405	CHIP CERAMIC CAP. 220P 50V K (0805) X7R	3	PCS	C16-18
14000408	CHIP CERAMIC CAP. 222P 50V K (1206) X7R	1	PCS	C19
14000411	CHIP CERAMIC CAP. 223P 50V M (1206) Y5V	1	PCS	C34
14000412	CHIP CERAMIC CAP. 224P 50V M (0805) Y5V	6	PCS	C22-25, 43, 44
14000418	CHIP CERAMIC CAP. 33P 50V J (0805) NPO	2	PCS	C5, 11
14000420	CHIP CERAMIC CAP. 330P 50V K (0805) X7R	1	PCS	C13
14000434	CHIP CERAMIC CAP. 47p 50V J(0805)NPO	2	PCS	C3, 35
14000437	CHIP CERAMIC CAP. 473P 50V M (0805) Y5V	1	PCS	C41
14000438	CHIP CERAMIC CAP. 474P 50V M (0805) Y5V	3	PCS	C26, 27, 32
14000435	CHIP CERAMIC CAP. 470P 50V K (0805) X7R	1	PCS	C37
14000447	CHIP CERAMIC CAP. 82p 50V J(0805) NPO	1	PCS	C33
13000058	CHIP RESISTOR 0 1/16W J (0805)	6	PCS	R15, 32, 34, 40, 41, 42
13000060	CHIP RESISTOR 0 1/4W J (1206)	2	PCS	R37, 38
13000065	CHIP RESISTOR 100 1/16W J (0805)	1	PCS	R9
13000067	CHIP RESISTOR 1K 1/16W J (0805)	2	PCS	R17, 31
13000077	CHIP RESISTOR 1M 1/16W J (0805)	2	PCS	R5, 6
13000080	CHIP RESISTOR 120 1/16W J(0805)	2	PCS	R3, 4
13000088	CHIP RESISTOR 150K 1/16W J (0805)	1	PCS	R14
13000094	CHIP RESISTOR 20K 1/16W J (0805)	1	PCS	R1
13000095	CHIP RESISTOR 22 1/16W J (0805)	1	PCS	R35
13000098	CHIP RESISTOR 220 1/16W J (0805)	1	PCS	R30
13000101	CHIP RESISTOR 2.2K 1/16W J (0805)	1	PCS	R27
13000103	CHIP RESISTOR 22K 1/16W J (0805)	2	PCS	R18, 20
13000113	CHIP RESISTOR 330 1/16W J (0805)	1	PCS	R7
13000120	CHIP RESISTOR 47 1/16W J (0805)	1	PCS	R26
13000122	CHIP RESISTOR 470 1/16W J (0805)	3	PCS	R21-23
13000124	CHIP RESISTOR 4.7K 1/16W J (0805)	2	PCS	R12, 16
13000127	CHIP RESISTOR 47K 1/16W J (0805)	3	PCS	R2, 24, 25
13000131	CHIP RESISTOR 5.6K 1/16W J (0805)	2	PCS	R8, 33

MCM704D BOM

BOM NO.	DESCRIPTION	QTY	UNIT	USAGE
13000133	CHIP RESISTOR 56K 1/16W J (0805)	1	PCS	R11
13000138	CHIP RESISTOR 820 1/16W J (0805)	2	PCS	R28, 29
14000478	TRIMMER CAP. 10p M TC03Z100H169B00	2	PCS	CV1, 2
14000570	NONINDUCTIVE CAP 1u 50V K-5	1	PCS	C21
14000175	ELECTROLYTIC CAP. 1u 50V L-5 5X11	2	PCS	C28, 29
14000181	ELECTROLYTIC CAP. 10u 25V L-5 5X11	1	PCS	C1
14000199	ELECTROLYTIC CAP. 100u 16V L-5 5X11	2	PCS	C10, 42
14000234	ELECTROLYTIC CAP. 2.2u 50V L-5 5X11	1	PCS	C30
16000047	CHIP DIODE BAS316	1	PCS	D2
16000048	CHIP ZENER DIODE BZX384-C11 11V	1	PCS	DZ1
16000122	VARIODE DIODE I348 L13	1	PCS	D3
16000007	VARIODE DIODE BB804(SOT23)	2	PCS	D4, 5
16000049	DIODE BAV99(SOT23)	1	PCS	D1
17000009	CHIP TRANSISTOR 9014 (SOT-23)	2	PCS	Q1, 2
17000017	TRANSISTOR BC547B-5	1	PCS	Q3
19000041	IC TEA5757H	1	PCS	IC1
22000011	CRYSTAL 75KHz \pm 20PPm Φ 3.0	1	PCS	X1
25000025	PINS CONNECTOR 2.0/4P	1	PCS	CN1
25000034	PINS CONNECTOR 2.0/5	1	PCS	CN2
24000090	ANT. LEADING-OUT TERMINAL WP-2-16	1	PCS	JACK1
35-EC06-01A1	TUNER PCB EC06-01 EC06-01A 130X155 /4	1	PCS	
07-M5671U-01A101	SERVO PCB ASS'Y M5671U-A1	1	SET	
13000063	CHIP RESISTOR 10 1/4W J (1206)	1	PCS	R3
13000637	CHIP RESISTOR 0 1/16W J(0603)	19	PCS	R4, 12, 13, 18, 22, 26, 27, 31, 37, 44, 45, R52, 56, 57, 58, 70, 71, 74, J4
13000994	CHIP RESISTOR 15 1/16W J(0603)	1	PCS	R59
13000686	CHIP RESISTOR 33 1/16W J(0603)	3	PCS	R60, 68, 69
13000641	CHIP RESISTOR 100 1/16W J(0603)	8	PCS	R15, 16, 32, 36, 42, 47, 49, 54
13000699	CHIP RESISTOR 470 1/16W J(0603)	2	PCS	C4, R43
13000661	CHIP RESISTOR 1K 1/16W J(0603)	2	PCS	R35, 38
13000667	CHIP RESISTOR 2.2K 1/16W J(0603)	1	PCS	R73
13000681	CHIP RESISTOR 2K 1/16W J(0603)	2	PCS	R98, 99
13000683	CHIP RESISTOR 3.3K 1/16W J(0603)	3	PCS	R2, 39, 40
13000996	CHIP RESISTOR 3.9K 1/16W J(0603)	1	PCS	R46
13000697	CHIP RESISTOR 4.7K 1/16W J(0603)	12	PCS	R6, 8, 14, 19, 21, 23, 29, 41, 50, 53, 86, 87

MCM704D BOM

BOM NO.	DESCRIPTION	QTY	UNIT	USAGE
13000646	CHIP RESISTOR 10K 1/16W J(0603)	7	PCS	R24, 51, 63, 65, 82, 96, 97
13000675	CHIP RESISTOR 22K 1/16W J(0603)	1	PCS	R48
13000645	CHIP RESISTOR 100K 1/16W J(0603)	4	PCS	R33, 75, 88, 89
13000664	CHIP RESISTOR 1M 1/16W J(0603)	1	PCS	R34
13000993	CHIP RESISTOR 1 1/16W J (0805)	2	PCS	R72, 79
14000740	CHIP CERAMIC CAP. 22P 50V J (0603) NPO	2	PCS	C15, 16
14000876	CHIP CERAMIC CAP. 30P 50V J (0603) NPO	2	PCS	C37, 38
14000779	CHIP CERAMIC CAP. 332P 50V K (0603) X7R	2	PCS	C57, 58
14000675	CHIP CERAMIC CAP. 473P 50V M (0603) Y5V	1	PCS	C10
14000669	CHIP CERAMIC CAP. 103P 50V K (0603) X7R	2	PCS	C5, 6
14000382	CHIP CERAMIC CAP. 104P 50V M (0603) Y5V	41	PCS	C1, 2, 3, 7, 9, 11-14, 17-27, 29-36, C39-43, 46-51, 54, 55
14000769	CHIP CERAMIC CAP. 1U 16/50V M (0603) Y5V	3	PCS	C8, 28, 44
33000063	FERRITE BEAD 601 K (0603)	7	PCS	L1, 2, 3, 9, 11, 12, 13
16000128	CHIP DIODE 4148	2	PCS	D3, 4
16000325	CHIP ZENER DIODE 5.6V (LL-34)	1	PCS	ZD1
17000072	TRANSISTOR 882(TO-126)	1	PCS	U2
17000124	CHIP TRANSISTOR 9012 (SOT-23)	2	PCS	Q5, 6
17000009	CHIP TRANSISTOR 9014 (SOT-23)	1	PCS	Q3
17000165	CHIP RESISTOR 8550C (SOT-89)	2	PCS	Q1, 2
19000392	IC EN25P10(SOP-8)	1	PCS	U8
19000401	IC PP5100 TQFP-48	1	PCS	U3
19000393	IC M5671(QFP-128)	1	PCS	U4
19000304	IC KS161622D (SOP-50)	1	PCS	U5
19000395	IC SA1469PH(HOP-28)	1	PCS	U1
15000180	FIXED INDUCTOR 33u K	1	PCS	L10
14000515	ELECTROLYTIC CAP. 10u 16V M-5 5X11	7	PCS	TC4, 5, 7, 8, 17, 18, 19
14000321	ELECTROLYTIC CAP. 47u 16V L-5 5X11	8	PCS	TC6, 12, 13, 15, 16, 21, 22, 23
14000199	ELECTROLYTIC CAP. 100u 16V L-5 5X11	4	PCS	TC9, 10, 11, 20
14000256	ELECTROLYTIC CAP. 220u 16V L-5 6.3X11	3	PCS	TC1, 2, 3
22000013	CRYSTAL OSC FREQ 12mHz ±20PPm 49S	1	PCS	X2
22000001	CRYSTAL OSCILLATOR 16.9344MHZ 49S	1	PCS	X1
25000009	PINS CONNECTOR 2.0/2P	2	PCS	CN2, SW1
25000025	PINS CONNECTOR 2.0/4P	2	PCS	CN4, USB1
25000056	PINS CONNECTOR 2.0/10P	1	PCS	CN3

MCM704D BOM

BOM NO.	DESCRIPTION	QTY	UNIT	USAGE
25000040	PINS CONNECTOR 2.0/6P	1	PCS	CN1
25000069	MECHANISM PIN CONNECTOR SOCKET 1.0/16PIN	1	PCS	CN8
35-M5671U-01A1	SERVO PCB 35-M5671U-01A1 111X63	1	PCS	
04-MCM704D-01A101	MCU PARTS ASS'Y MCM704D	1	SET	
19000169	CPU U252(3P9228 XYZ-CAN CHANGE)	1	PCS	IC801
45-MCM704D-01A101	MCM704D/37 CPU SOFTWARE(V1.0)	1	PCS	
08-MCB700-01A101	CD DISC ASS'Y MCB700	1	SET	
31000013	CD MECHANISM SONY KSM-213CJM	1	PCS	
36000261	DVD MECHANISM SHOCKPROOF WASHER	4	PCS	
39000457	133 DUST COVER BLACK	1	PCS	
08-MCM704D-01A101	CD UNIT CASING PARTS ASS'Y MCM704D/37	1	SET	
37-MCD700-15A101	MCD700 DVD UNIT PUSH KEY PLATE ALUM. SHE	1	PCS	
37-MCB700-02B100	MCB700 DVD METAL CABINET BOTTOM	1	PCS	
37-NE920-01A102	NE920 CD DOOR DECOATIVE SHEET	1	PCS	
37-MCD700-10A101	MCD700 FUNCTION KNOB METAL RING	1	PCS	
37-MCD700-11A100	MCD700 OVERLAY FOR FUNCTION KNOB	1	PCS	
37-NE1300-03A100	NE-1300 CD DOOR BRACKET COUPLING SHAFT	2	PCS	
37-NE1300-04A100	NE-1300 CD DOOR BRACKET CONNECTION SHEET	2	PCS	
39-MCM700-04A201	MCM700 DVD CABINET FRONT HIPS/V2	1	PCS	
39-MCD700-35B201	MCD700 CD TOP CABINET HIPS/V2	1	PCS	
39-MCD700-39A101	MCD700 DVD BACK CABINET	1	PCS	
39-MCD700-13C100	MCD700 DVD CABINET BOTTOM	1	PCS	
39-MCD700-15A102	MCD700 CD DOOR PMMA	1	PCS	
39-NE1300-06A101	NE1300 CD DOOR(L)BRACKET ABS SILVER	1	PCS	
39-NE1300-07A101	NE1300 CD DOOR(R)BRACKET ABS SILVER	1	PCS	
39-MCD700-30A100	MCD700 PCB BRACKET	2	PCS	
39-MCD700-31A100	MCD700 PAD CORD	2	PCS	
39-MCM704-01A101	MCM704D CD DISPLAY LENS PMMA	1	PCS	
39-MCD700-20A101	MCD700 TOP BUTTON ABS SILVER	4	PCS	
39-MCD700-28A100	MCD700 SWITCH PUSH KNOB ABS	1	PCS	
39-MCD700-19A102	MCD700 CABINET FRONT ABS	1	PCS	
39-MCD700-17A102	SIDE PLATE-L ABS ASH	1	PCS	
39-MCD700-18A102	SIDE PLATE-R ABS ASH	1	PCS	
39-NE1300-12A100	1300CD CHASSIS PAMA	1	PCS	

MCM704D BOM

BOM NO.	DESCRIPTION	QTY	UNIT	USAGE
39-MCM700-01A100	MCM700 USB BRACKET ABST100	1	PCS	
39-MCM700-02A101	MCM700 USB COVER ABST100	1	PCS	
36000042	ROD FIBER PAPER WASHER Φ3X8X0.5	1	PCS	
36000626	BLACK SPONGE 35X6X1 40°	1	PCS	
36000369	CONDUCTIVE SPONGE 5X3X1	2	PCS	
36000248	TRANSLUCENCE PAD CORD Φ7XΦ3XH7 EJ28	2	PCS	
36000319	RUBBER FOOT MCD700 ZJ-162	4	PCS	
36000042	ROD FIBER PAPER WASHER Φ3X8X0.5	1	PCS	
36000042	ROD FIBER PAPER WASHER Φ3X8X0.5	4	PCS	
36000042	ROD FIBER PAPER WASHER Φ3X8X0.5	1	PCS	
36000363	WIRE TIC 70	5	PCS	
36000109	BLACK SPONGE 10X10X5 75°	5	PCS	
36000117	BLACK SPONGE 10X10X10 40°	1	PCS	
36000866	PVC SHEET 130X124X0.25	1	PCS	
36000178	WHITE SPONGE 10X4.5X2 40°	1	PCS	
36000963	WHITE SPONGE 47X10X2 40°	1	PCS	
41002001	DOUBLE SIDE TAPE Φ52.5 MCD700/702CD	1	PCS	
41000446	FELT PAPER Φ3.5 19X19X0.3mm	2	PCS	
42000529	FELT PAPER Φ3.5 19X19X0.3mm	1	PCS	
37000299	METAL WASHER	2	PCS	
37000353	MECHANISM SPRING SHOCK ABSORPTIONB	2	PCS	
37000351	MECHANISM SPRING SHOCK ABSORPTIONA	2	PCS	
37000609	METAL PLATE 11X7X1 Φ3	2	PCS	
37001190	MCM700 USB DOOR SPRING WIRE	1	PCS	
38000557	SCREW 3 X 7 HM NICKEL-PLATE	2	PCS	
38000076	SCREW 3 X 11 FMTT NICKEL-PLATE	2	PCS	
38000275	SCREW 3 X 5 BMTT NICKEL-PLATE	2	PCS	
38000273	SCREW 3 X 4 BMTT NICKEL-PLATE	3	PCS	
38000279	SCREW 3 X 6 BMTT NICKEL-PLATE	3	PCS	
38000405	SCREW 2.5X6 PWMTT NICKEL-PLATE	4	PCS	
38000714	SCREW 2.6 X10 PWBB (Φ10) NICKEL-PLATE	4	PCS	
38000187	SCREW 3 X 8 BA NICKEL-PLATE	1	PCS	
38000193	SCREW 3 X 10 BA NICKEL-PLATE	3	PCS	
38000240	SCREW 2.6 X 6 PT NICKEL-PLATE	2	PCS	

MCM704D BOM

BOM NO.	DESCRIPTION	QTY	UNIT	USAGE
38000094	SCREW 3 X 6 PWMTT NICKEL-PLATE	4	PCS	
38000243	SCREW 2.6 X 8 PT NICKEL-PLATE	10	PCS	
38000800	SCREW 3 X 10 PWA NICKEL-PLATE	2	PCS	
38000697	SCREW 2.6 X 4 PWMTT NICKEL-PLATE	2	PCS	
38000279	SCREW 3 X 6 BMTT NICKEL-PLATE	9	PCS	
38000136	SCREW 2.6 X 8 FA NICKEL-PLATE	3	PCS	
33000004	FERRITE CORE JTH16X12X8	1	PCS	
25000927	FLAT FLEXIBLE CABLE 16PX180X1.0XA	1	PCS	
25000606	28WIRE 70 2.0/5PX1 2.0/5P	1	PCS	
25002708	22WIRE 180 2.0/4PX1 2.0/2PX1	1	PCS	
25002719	26WIRE+28WIRE 130 2.0/4PX2	1	PCS	
25000635	28WIRE 250 2.0/6PX2	1	PCS	
25002022	20WIRE 350+250 2.5/2PX1 BLACK	1	PCS	
25002640	26WIRE 150 2.0/2PX2	1	PCS	
25000114	22WIRE 60 2.5/3PX2	1	PCS	
25002774	28WIRE 250#2.0/6P/10P#2.0/2PX2/2.0/7P	1	PCS	
09-MCM704D-02A101	AMP UNIT PARTS ASS'Y MCM704D/37	1	SET	
07-MCM704D-01A101	AMP PCB ASS'Y MCM704D	1	SET	
13000060	CHIP RESISTOR 0 1/4W J (1206)	1	PCS	R108
13000067	CHIP RESISTOR 1K 1/16W J (0805)	7	PCS	R103, 111, 132, 135, 136, 160, 161
13000070	CHIP RESISTOR 10K 1/16W J (0805)	5	PCS	R149, 158, 116, 156, 157
13000074	CHIP RESISTOR100K 1/16W J (0805)	2	PCS	R104, 159
13000219	CARBON FILM RESISTOR 120 1/8W J-52	1	PCS	R180
13000238	CARBON FILM RESISTOR 15 1/4W J-52	1	PCS	R139
13000087	CHIP RESISTOR 15K 1/16W J (0805)	2	PCS	R109, 134
13000514	CARBON FILM RESISTOR 220 1/4W J	1	PCS	R133
13000852	CARBON FILM RESISTOR 220 1/4W J-52	1	PCS	R114
13000303	CARBON FILM RESISTOR 22K 1/8W J-52	1	PCS	R112
13000314	CARBON FILM RESISTOR 2.2 1/4W J-52	4	PCS	R146, 147, 107, 113
13000103	CHIP RESISTOR 22K 1/16W J (0805)	1	PCS	R182
13000109	CHIP RESISTOR 2.7K 1/16W J (0805)	2	PCS	R154, 155
13000324	CARBON FILM RESISTOR 270 1/8W J-52	1	PCS	R120
13001021	CHIP RESISTOR 39K 1/16W J (0805)	2	PCS	R150, 151
13000401	CARBON FILM RESISTOR 4.7K 1/8W J-52	1	PCS	R181

MCM704D BOM

BOM NO.	DESCRIPTION	QTY	UNIT	USAGE
13000532	CHIP RESISTOR 12K 1/16W J (0805)	1	PCS	R184
13000124	CHIP RESISTOR 4.7K 1/16W J (0805)	3	PCS	R106, 183, 102
13000127	CHIP RESISTOR 47K 1/16W J (0805)	6	PCS	R101, 105, 110, 115, 152, 153
13000140	CHIP RESISTOR 8.2K 1/16W J (0805)	2	PCS	R126, 127
13000129	CHIP RESISTOR 560 1/16W J (0805)	2	PCS	R129, 130
13000271	CARBON FILM RESISTOR 18K 1/8W J-52	2	PCS	R131, 128
14000375	CHIP CERAMIC CAP. 102P 50V K (0805) X7R	1	PCS	C113
14000407	CHIP CERAMIC CAP. 222P 50V K (0805) X7R	2	PCS	C108, 110
14000483	CHIP CERAMIC CAP. 104P 100V M (0805) Y5V	6	PCS	C116, 120, 125, 128, 129, 131
14000422	CHIP CERAMIC CAP. 332P 50V K (0805) X7R	2	PCS	C178, 179
14000452	NONINDUCTIVE CAP. 104J 100V K-5	2	PCS	C145, 157
14000413	CHIP CERAMIC CAP. 272P 50V K (0805) X7R	2	PCS	C114, 118
14000175	ELECTROLYTIC CAP. 1u 50V L-5 5X11	2	PCS	C152, 153
13000637	CHIP RESISTOR 0 1/16W J(0603)	2	PCS	C104, C106
14000445	CHIP CERAMIC CAP. 680P 50V K (0805) X7R	2	PCS	
14000189	ELECTROLYTIC CAP. 10u 50V L-5 5X11	3	PCS	C130, 111, 112
14000212	ELECTROLYTIC CAP. 100u 35V L-5 6.3X11	1	PCS	C163
14000234	ELECTROLYTIC CAP. 2.2u 50V L-5 5X11	10	PCS	C132, 134-141, 123
14000238	ELECTROLYTIC CAP. 22u 16V L-5 5X11	2	PCS	C105, 109
14000252	ELECTROLYTIC CAP. 220u 16V L 6.3X11	2	PCS	C149, 150
14000321	ELECTROLYTIC CAP. 47u 16V L-5 5X11	5	PCS	C103, 107, 122, 151, 154
14000336	ELECTROLYTIC CAP. 47u 35V L-5 5X11	1	PCS	C155
14000548	ELECTROLYTIC CAP. 3300u 35V L 105°C 16X30	2	PCS	C101, 102
16000018	DIODE 4148-52	4	PCS	D104-107
16000104	RECTIFIER DIODE 4001-52	4	PCS	D103, 101, 108, 109
16000056	ZENER DIODE 3V 1/2W-52	1	PCS	ZD107
16000068	ZENER DIODE 5.1V 1/2W-52	1	PCS	ZD108
16000089	ZENER DIODE 27V 1/2W-52	1	PCS	ZD101
17000005	CHIP TRANSISTOR BC817-25	1	PCS	Q108
17000015	TRANSISTOR B834-Y	1	PCS	Q101
17000025	TRANSISTOR 8050C-5	4	PCS	Q102, 103, 105, 106
17000030	TRANSISTOR 8550C-5	1	PCS	Q107
18000007	THYRISTOR RS406 (4A)	1	PCS	DB101
19000061	IC TDA7265 SGS-THOMSON	1	PCS	U105

MCM704D BOM

BOM NO.	DESCRIPTION	QTY	UNIT	USAGE
19000075	IC PT2309-S(L) SOP	1	PCS	U106
19000079	I. C. PT2314 PRINCETON	1	PCS	U104
19000112	IC 7812	1	PCS	U103
25000012	PINS CONNECTOR 2.5/2P	1	PCS	CN108
25000014	PINS CONNECTOR 2.0/3P	2	PCS	CN101, 104
25000020	PIN SOCKET 3.96/3P	1	PCS	CN106
25000025	PINS CONNECTOR 2.0/4P	1	PCS	CN103
25000040	PINS CONNECTOR 2.0/6P	1	PCS	CN109
25000051	PINS CONNECTOR 2.5/8P	1	PCS	CN111
25000075	PIN CONNECTOR 30P BENDING L=8.8	1	PCS	CN113
25001690	22 GREEN WIRE 50	1	PCS	
24000052	SPEAKER TERMINAL 4P WP4-3	1	PCS	J104
24000080	RCA SOCKET 4P AV4-8.4-7	1	PCS	J103
26000002	△FUSE F2AL250V	1	PCS	F103
26000007	△FUSE F4AL250V	2	PCS	F101, 102
35-MCM704D-01A1	AMP PCB MCM704D-01A1 249.3X166.8	1	PCS	
26000051	△FUSE HOLDER (PLASTIC)	3	PCS	
37001110	HEAT SINK MCB700 40X42X82	1	PCS	
36000358	MICA INSULATION SHEET 23X20	1	PCS	
34000026	MINI FAN RDM4010S DC12V/0.07A	1	PCS	
38000305	SPRING WASHER SIZE Φ3 NICKEL-PLATE	1	PCS	
38000217	SCREW 3 X 10 BTH NICKEL-PLATE	2	PCS	
38000253	SCREW 3 X 18 PTH NICKEL-PLATE	2	PCS	
25001938	22WIRE 80 BLACK	2	PCS	
07-MCD703-01A101	POWER CONTROL PCB ASS'Y MCD735/37	1	SET	
34000134	RELAY OMITSS-112LM DC12	1	PCS	REL1600
13000363	CARBON FILM RESISTOR 39 1/4W J	1	PCS	R1600
14000256	ELECTROLYTIC CAP. 220 μ 16V L-5 6.3X11	1	PCS	C1600
16000104	RECTIFIER DIODE 4001-52	5	PCS	D1601, D1602, D1603, D1600, D1604
17000025	TRANSISTOR 8050C-5	1	PCS	Q1600
25000012	PINS CONNECTOR 2.5/2P	1	PCS	CN1602
25000014	PINS CONNECTOR 2.0/3P	1	PCS	CN1600
25001581	PIN SOCKET 3.96/3P	1	PCS	CN1601
35-MCD703-01A1	PCB POWER CONTROL MCD703-16 MCD703	1	PCS	

MCM704D BOM

BOM NO.	DESCRIPTION	QTY	UNIT	USAGE
07-MCM704D-03A101	VOLUME PCB ASS'Y MCM704D	1	SET	
14000379	CHIP CERAMIC CAP. 103P 50V K (0805) X7R	2	PCS	C301, 302
30000001	CODER ED-1612-00-F15 40-80G	1	PCS	ENCODER301
35-MCM704D-03A1	VOLUME PCB MCM704D-03A1	1	PCS	
25001930	28WIRE 310 2.0/3PX1 2.0/3PX1	1	PCS	
07-MCM704D-02A101	PHONE PCB ASS'Y MCM704D	1	SET	
24000036	HEADPHONE SOCKET Φ 3.5 J3506B SILVER	1	PCS	J200
35-MCM704D-02A1	HEADPHONE PCB MCM704D-02A1	1	PCS	
25002110	26WIRE 200 2.0/4P 2.0/4PX1	1	PCS	
08-MCM704D-02A101	AMP UNIT CASING PARTS ASS'Y MCM704D/37	1	SET	
37-MCD700-02A100	AMP UNIT ALUMINIUM PATCH MCD700	1	PCS	
37-MCB700-01A100	MCB700 AMP METAL BOTTOM CABINET	1	PCS	
37-MCD700-07A100	OVERLAY FOR VOLUME KNOB MCD700	1	PCS	
37000174	METAL PLATE NE-1500/940 14.5X7.0X1.0	2	PCS	
39-MCD700-10B201	MCD700 AMP CABINET FRONT HIPV2	1	PCS	
39-MCD700-09A201	MCD700 AMP CABINET TOP ABSV2	1	PCS	
39-MCD700-07A301	MCD700 AMP CABINET BACK ABSV2	1	PCS	
39-MCD700-08D100	MCD700 AMP CABINET BOTTOM	1	PCS	
39-MCM704-02A101	MCM704D AMP DISPLAY LENS PMMA	1	PCS	
39-MCD700-29A100	MCD700 VOLUME KNOB	1	PCS	
39-MCD700-31A100	MCD700 PAD CORD	2	PCS	
39-MCD700-17A102	SIDE PLATE-L ABS ASH	1	PCS	
39-MCD700-18A102	SIDE PLATE-R ABS ASH	1	PCS	
25002665	JACK VH3.96/3P	1	PCS	
11000393	Δ TRANSFORMER 422A-37 120V/60 UL	1	PCS	
11000132	Δ POWER TRANSFORMER ECO ECO-228A-37	1	PCS	
26000026	Δ AC LINE CORD 1.95m UL	1	PCS	
33000012	FERRITE CORE JTH29X19X15	1	PCS	
36000363	WIRE TIC 70	3	PCS	
36000595	PVC SHEET 55.5X49.3X0.25	1	PCS	
36000369	CONDUCTIVE SPONGE 5X3X1	1	PCS	
36000319	RUBBER FOOT MCD700 ZJ-162	4	PCS	
36000109	BLACK SPONGE 10X10X5 75°	2	PCS	
36000044	ROD FIBER PAPER WASHER Φ 3X8X1	2	PCS	

MCM704D BOM

BOM NO.	DESCRIPTION	QTY	UNIT	USAGE
36000042	ROD FIBER PAPER WASHER Φ3X8X0.5	2	PCS	
36000191	BLACK SPONGE Φ34X3 75° #132	1	PCS	
39000240	△AC LINE CORD CLIP SHEET	1	PCS	
37000299	METAL WASHER	1	PCS	
37000497	△AC LINE CORD MOUNTING	2	PCS	
38000105	SCREW 2.6 X 10 PA NICKEL-PLATE	2	PCS	
38000217	SCREW 3 X 10 BTH NICKEL-PLATE	4	PCS	
38000217	SCREW 3 X 10 BTH NICKEL-PLATE	2	PCS	
38000227	SCREW 3 X 8 BTH NICKEL-PLATE	2	PCS	
38000231	SCREW 3 X 12 BTH NICKEL-PLATE	1	PCS	
38000271	SCREW 3 X 3 BMTT NICKEL-PLATE	2	PCS	
38000290	SCREW 3 X 12 BMTT NICKEL-PLATE	2	PCS	
38000273	SCREW 3 X 4 BMTT NICKEL-PLATE	2	PCS	
38000279	SCREW 3 X 6 BMTT NICKEL-PLATE	3	PCS	
38000279	SCREW 3 X 6 BMTT NICKEL-PLATE	3	PCS	
38000076	SCREW 3 X 11 FMTT NICKEL-PLATE	2	PCS	
38000405	SCREW 2.5X6 PWMTT NICKEL-PLATE	4	PCS	
38000094	SCREW 3 X 6 PWMTT NICKEL-PLATE	4	PCS	
38000243	SCREW 2.6 X 8 PT NICKEL-PLATE	2	PCS	
38000697	SCREW 2.6 X 4 PWMTT NICKEL-PLATE	1	PCS	
25001883	26WIRE 160 2.0/3PX2	1	PCS	
39-NE1400-02A100	1400 PCB ROD CORD H=7	2	PCS	
09-MCM704D-03A101	ACCESSORY PARTS ASS'Y MCM704D/37	1	SET	
25001949	WIRE 1.5m	1	PCS	
25000716	WIRE 300 2.5/30PX2	1	PCS	
27000011	SPEAKER WIRE 1.5m	2	PCS	
32000458	iPod SOCKET PHILIPS SET	1	PCS	
41004999	I. M. MCM704D/37 ENLGISH/FRENCH/SPAISH	1	PCS	
41003496	TUNE BOOKS PH /37	1	PCS	
41000897	WARRANTY CARD MCD700/37 Canada	1	PCS	
41002875	NEED HELP CARD LABEL V37 (3139 246/5163)	1	PCS	
41003341	WARRANTY CARD 37V 3121 233 49211 USA	1	PCS	
41005000	QUICK START GUIDE MCM704D/37 ENGLSIH	1	PCS	
41005001	QUICK START GUIDE MCM704D/37 SPAISH	1	PCS	

MCM704D BOM

BOM NO.	DESCRIPTION	QTY	UNIT	USAGE
41005002	QUICK START GUIDE MCM704D/37 FRENCH	1	PCS	
08-NE1300-03A101	ANTENNA HOLDER ASS'Y AM	1	SET	
25000232	26WIRE 5.5m BLACK	1	PCS	
36000453	TIE WIRES PH 100	1	PCS	
39-NE1300-01A100	1300 ANTENNA HOLDER BLACK	1	PCS	
41001008	PE POLYBAG 19X17cm	1	PCS	
09-MCM704D-04A101	PACKING PARTS ASS'Y MCM704D/37	1	SET	
41005013	POLYFOAM MCM704D	1	PCS	
41001010	PE POLYBAG 23X8cm	1	PCS	
41000177	PE POLYBAG 20X7cm	1	PCS	
41000191	PE POLYBAG 29X18cm	1	PCS	
41000202	PE POLYBAG 33X22cm	1	PCS	
41004970	GIFT BOX LABEL MCM704D/37	1	PCS	
41000261	TISSUE BLOW MOLDING 36X28cm	2	PCS	
41004969	GIFT BOX PH MCM704D/37	1	PCS	
41002444	ACCESSORY AGENT BLANK BOX 306X217X57	1	PCS	
41001010	PE POLYBAG 23X8cm	1	PCS	
41000437	PICK-UP PROTECTION FITTING PAPER 147X122	1	PCS	
41000489	Q.C PASSED LABEL Φ13	1	PCS	
41003711	DESIGNED PH 43X11	1	PCS	
41000673	LASER WARNING LABEL PH Φ15 BLACK	1	PCS	
41000677	LABEL MCD700/37 10 DAY Φ57	1	PCS	
41001318	PREVENTION OF BURGLARY LABEL MCD700/37	1	PCS	
41000678	MACROVISION LABEL V37 59X12	1	PCS	
41004991	DVD UNIT MAIN LABEL MCM704D/37	1	PCS	
41001218	DHHS LABEL MCD702/37 52X11	1	PCS	
41004997	WARRANTY CARD LABEL MCM704D/37 USA	1	PCS	
41004996	WARRANTY CARD LABEL MCM704D/37 CAN.	1	PCS	
41004992	AMP UNIT MAIN LABEL MCM704D/37	1	PCS	
41004998	POS LABEL MCM704D/37	1	PCS	
41005075	WARRANTY CRAD MODEL LABEL MCM704D/37	4	PCS	
41005161	Pod PROTECTION FITTING PAPER 206X196X3	1	PCS	
41005180	PAPER 235X50X3	2	PCS	
09-MCM704D-05A101	SPEAKER BOX ASS'Y MCM704D/37	1	SET	

MCM704D BOM

BOM NO.	DESCRIPTION	QTY	UNIT	USAGE
08-MCM704D-03A101	SPEAKER BOX ASS'Y (L) MCM704D/37	1	SET	
25000957	22WIRE 2P 250 RED BLACK	1	PCS	
28000505	WOOFER SPEAKER 4" 8Ω 25W Φ60	1	PCS	
39-MCM704-03A101	MCM704 SPEAKER GRILLE BRACKET	1	PCS	
39-MCD919-03A102	MCD919 DECORATIVE LOOP SILVER	1	PCS	
24000158	SPEAKER TERMINAL DJ-1320-1 44X44 RED/BL.	1	PCS	
41005134	PAPER Φ34X30X135 MCM704D	1	PCS	
41003951	TISSUE BLOW MOLDING 40X35CM	1	PCS	
36000216	RUBBER FOOT MCD700 Φ12X8X7BLACK	4	PCS	
37-MCD700-12A101	GRILLE FIX POS MCD700	4	PCS	
36001082	MCD700 GRILLE FIXER Φ6X6 BLACK	4	PCS	
39000725	SCUTCHEON PHILIPS 28.6X5.6 Φ1.6	1	PCS	
40000402	WOODEN BOX MCM704D/37 150X150X215	1	PCS	
41004993	SPEAKER BOX BACK LABEL(L) MCM704D/37	1	PCS	
38000417	SCREW 3X12FA NICKEL-PLATE	4	PCS	
38000664	SOCKET HEAD SCREW 3X12 HA NICKEL-PLATE	4	PCS	
38000116	SCREW 3 X 12 PA BLACK	4	PCS	
08-MCM704D-04A101	SPEAKER BOX ASS'Y (R) MCM704D/37	1	SET	
25000957	22WIRE 2P 250 RED BLACK	1	PCS	
28000505	WOOFER SPEAKER 4" 8Ω 25W Φ60	1	PCS	
39-MCM704-03A101	MCM704 SPEAKER GRILLE BRACKET	1	PCS	
39-MCD919-03A102	MCD919 DECORATIVE LOOP SILVER	1	PCS	
24000158	SPEAKER TERMINAL DJ-1320-1 44X44 RED/BL.	1	PCS	
41005134	PAPER Φ34X30X135 MCM704D	1	PCS	
41003951	TISSUE BLOW MOLDING 40X35CM	1	PCS	
36000216	RUBBER FOOT MCD700 Φ12X8X7BLACK	4	PCS	
37-MCD700-12A101	GRILLE FIX POS MCD700	4	PCS	
36001082	MCD700 GRILLE FIXER Φ6X6 BLACK	4	PCS	
39000725	SCUTCHEON PHILIPS 28.6X5.6 Φ1.6	1	PCS	
40000402	WOODEN BOX MCM704D/37 150X150X215	1	PCS	
41004994	SPEAKER BOX BACK LABEL(R) MCM704D/37	1	PCS	
38000417	SCREW 3X12FA NICKEL-PLATE	4	PCS	
38000664	SOCKET HEAD SCREW 3X12 HA NICKEL-PLATE	4	PCS	
38000116	SCREW 3 X 12 PA BLACK	4	PCS	

MCM704D BOM

BOM NO.	DESCRIPTION	QTY	UNIT	USAGE
09-PRC500-26A101	REMOTE CONTROL ASS'Y PRC500-26 MCM704D	1	SET	
13000058	CHIP RESISTOR 0 1/16W J (0805)	1	PCS	R1
13000135	CHIP RESISTOR 680 1/16W J (0805)	1	PCS	R2
14000315	ELECTROLYTIC CAP. 47u 10V L 4X7	1	PCS	C1
16000215	INFRARED-EMITTING DIODE Φ 3	1	PCS	D1
17000005	CHIP TRANSISTOR BC817-25	1	PCS	Q1
19000294	IC TM58PR11S18C	1	PCS	U1
34000093	BUTTON BATTERIES 3V CR2025	1	PCS	
35-PRC500-01A1	REMOTE CONTROL PCB PRC500-A 139X40X1.6	1	PCS	
36001081	CONDUCTIVE RUBBER PRC500-26	1	PCS	
37001105	A REMOTE CONTACT SPRING WIRE PCR500	1	PCS	
37000829	A REMOTE CONTACT SPRING WIRE PCR500 Φ 0.5	1	PCS	
37000830	IRON BLOCK PCR500 35X26.6X4	1	PCS	
39-PRC500-06A113	PRC500 REMOTE CONTROL CABINET TOP	1	PCS	
39-PRC500-02A100	PRC500 CABINET BACK ABS	1	PCS	
39-PRC500-03A100	PRC500 BATTERY COVER ABS	1	PCS	
39-PRC500-04A100	REMOTE CONTROL LENS PRC500	1	PCS	
39-PRC500-05A101	PRC500 PLATE RING ABS	1	PCS	
41003784	PAPER 32X24X0.15	1	PCS	
41004995	REMOTE CONTROL LABEL PRC500-26	1	PCS	
41002542	PE POLYBAG 20X6cm	1	PCS	
45-PRC500-26A	PRC500-26 BSOFTWARE(V1.0)	1	PCS	
41003940	REMOTE CONTROL LABEL PH 38X18	1	PCS	
09-MCD700-08A101	BRACKET ASS'Y PH MCD700 204X220.5X6	1	SET	
39-NE1301-11A101	NE1301 BRACKET FOOT SILVER	4	PCS	
39-NE1301-12A101	NE1301 BRACKET FOOT COVER SILVER	4	PCS	
36000320	RUBBER FOOT MCD700ZJ-162	4	PCS	
36000353	PERSPEX 204X220.5X6.0 MCD700	1	PCS	
37000315	METAL WASHER Φ 27.6X0.8	4	PCS	
38000043	SCREW 6 X 16 FM NICKEL-PLATE	4	PCS	
41000245	PO POLYBAG 30X22cm	1	PCS	